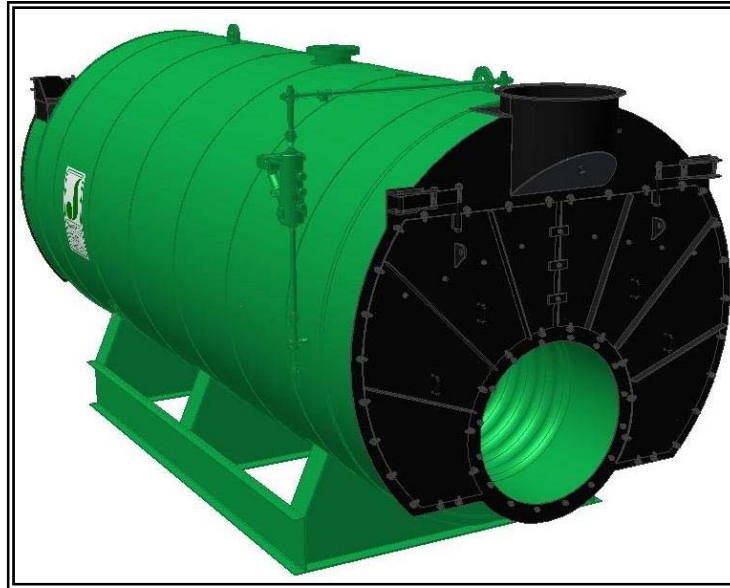




MODEL: PFTX 1600-4

4-Pass Steam Packaged Firetube Boiler

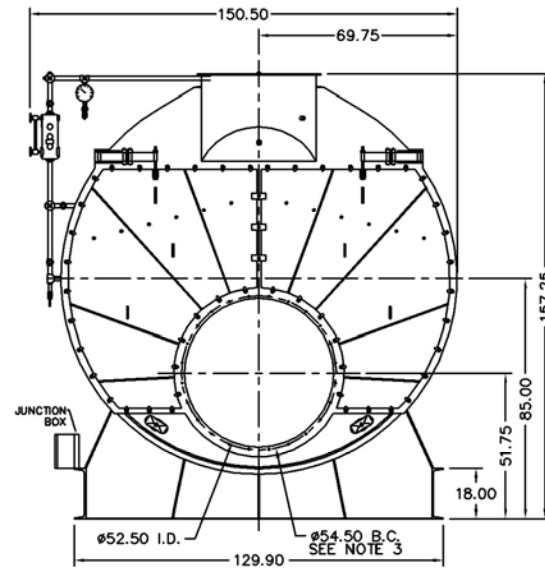


Ratings & Performance Data

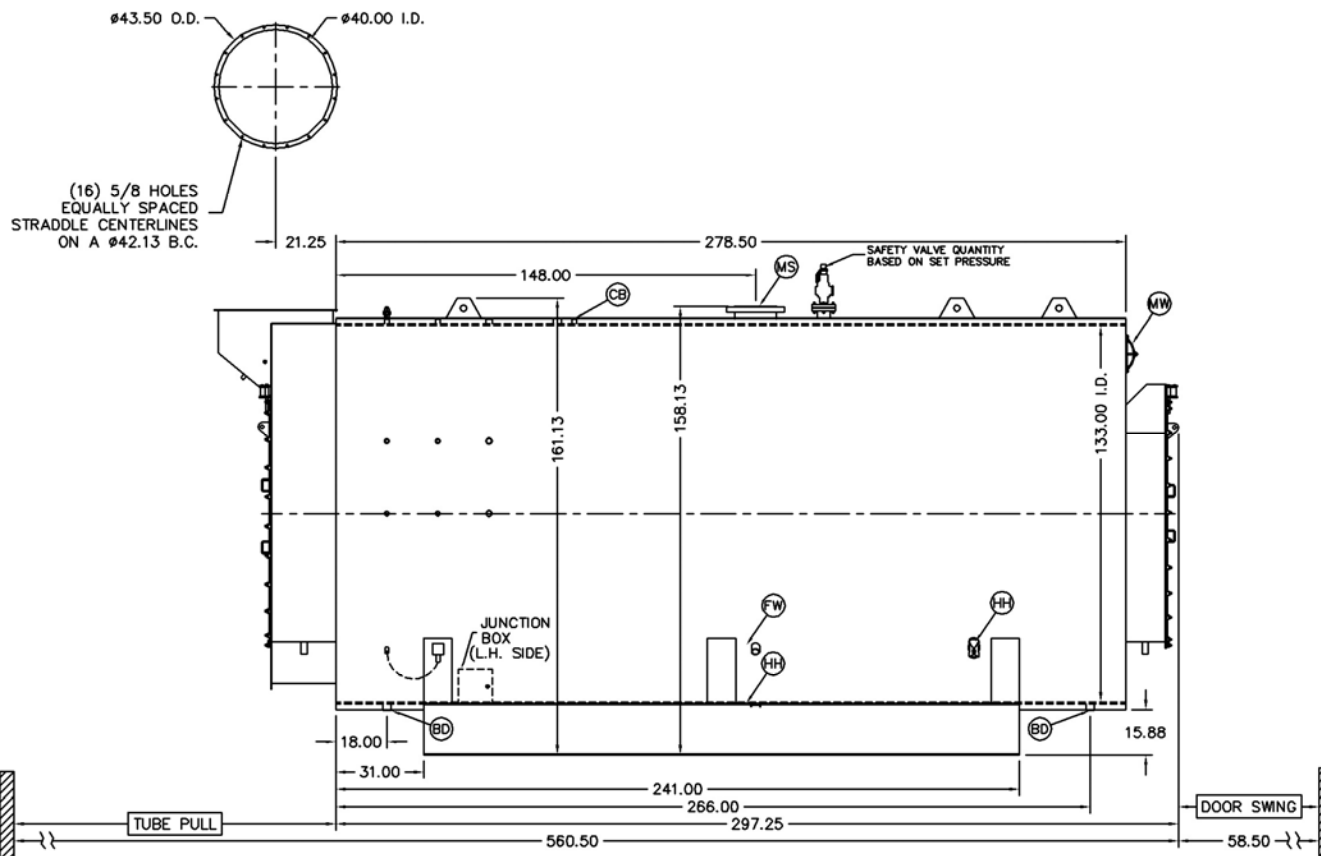
Horsepower 1600							
Steam Storage, ft ³	281.6	Natural Gas Flow, SCFH (1,000 Btu/ft ³)**	64,144				
Steam Disengaging Area, ft ²	198.2	Combustion Air (15% Excess), SCFM***	11,737				
Total Heating Surface, ft ²	8,088	Flue Gas Flow Rate, lb/hr***	55,937				
Furnace Outside Diameter, in	53.5	Stack Flue Gas Velocity, ft/min***	2,270				
Furnace Heat Release Rate, Btu/ft ³ hr**	216,000	#2 Oil Flow, gal/hr (140,000 BTU/gal)**	441.3				
Total Combustion Volume, ft ³	410.1	#6 Oil Flow, gal/hr (150,000 BTU/gal)**	408.4				
Total Heat Release Rate, Btu/ft ³ hr**	156,000	Flue Gas Side Pressure Drop, in. H ₂ O	11.3				
Water Content N.W.L., gal	8,100	Water Content Flooded, gal.	10,206				
Approx. Dry Weight 15#, lb	94,400	Approx. Operating Weight 15#, lb.	161,900				
Approx. Dry Weight 150#, lb	100,200	Approx. Operating Weight 150#, lb.	167,700				
Approx. Dry Weight 200#, lb	106,300	Approx. Operating Weight 200#, lb.	173,800				
Approx. Dry Weight 250#, lb	113,400	Approx. Operating Weight 250#, lb.	180,900				
Approx. Dry Weight 300#, lb	120,500	Approx. Operating Weight 300#, lb.	188,000				
Performance Data							
Operating Pressure (psig)	Steam Rate (lb/hr)	Natural Gas		#2 Oil		#6 Oil	
		Stack Temp (F)	%Eff	Stack Temp (F)	%Eff	Stack Temp (F)	%Eff
10	55,565	262	85.9	268	89.1	275	89.8
50	54,488	320	84.5	326	87.7	334	88.4
100	53,905	360	83.5	366	86.7	374	87.4
150	53,580	388	82.8	394	86.0	402	86.7
200	53,378	410	82.3	416	85.5	425	86.2
250	53,248	429	81.8	435	85.0	443	85.7
300	53,165	445	81.4	451	84.6	459	85.3
*Based on 228°F feedwater and 3% O ₂ , ** Values calculated at 100 psi operating pressure, ***Calculated Firing Natural Gas							

Drawings - 4-Pass Steam Packaged Firetube Boiler

Connection & Opening Schedule			
Conn.	Description	Type	Qty
FW	Feedwater Inlet	2.00 FNPT	2
MS*	Main Steam	12.00 300# RF	1
CB	Continuous Blowoff	1.00 FNPT	1
BD	Blowdown Outlet	2.00 FNPT	2
MW	Manway	12 X 16	1
HH	Hand Hole	4 X 6	7
*16.00 150#RF Flange on 15 psig Design			



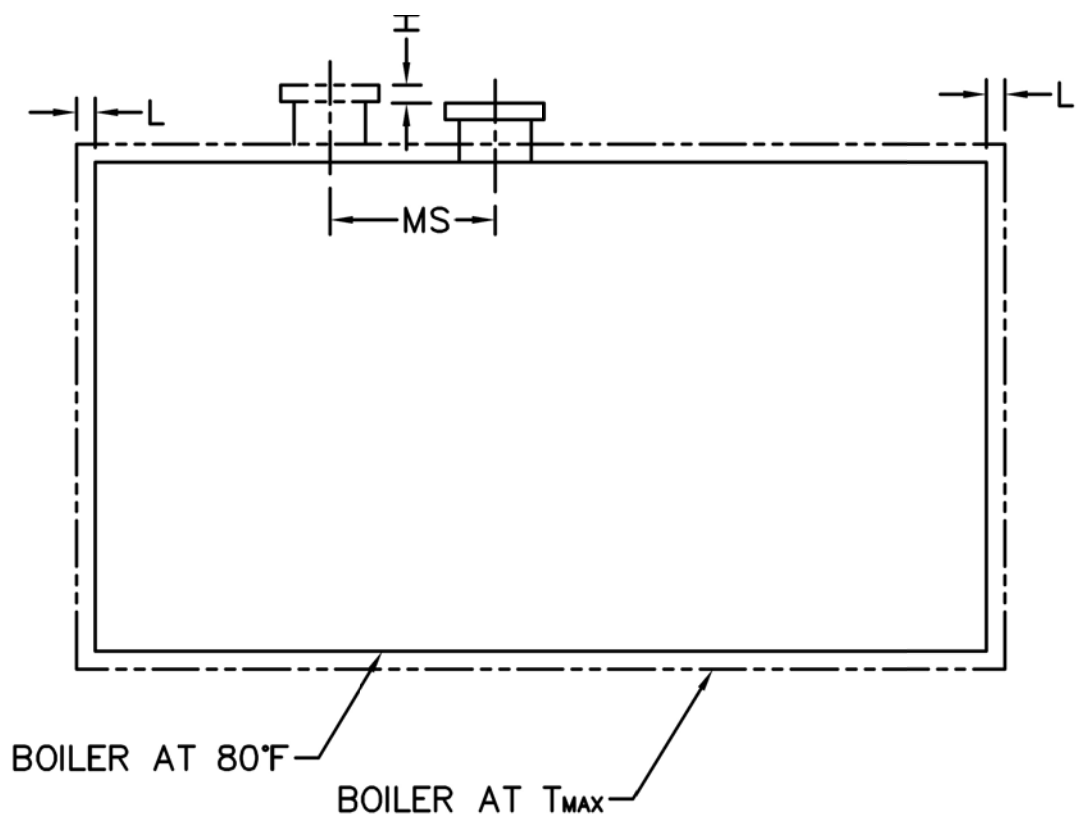
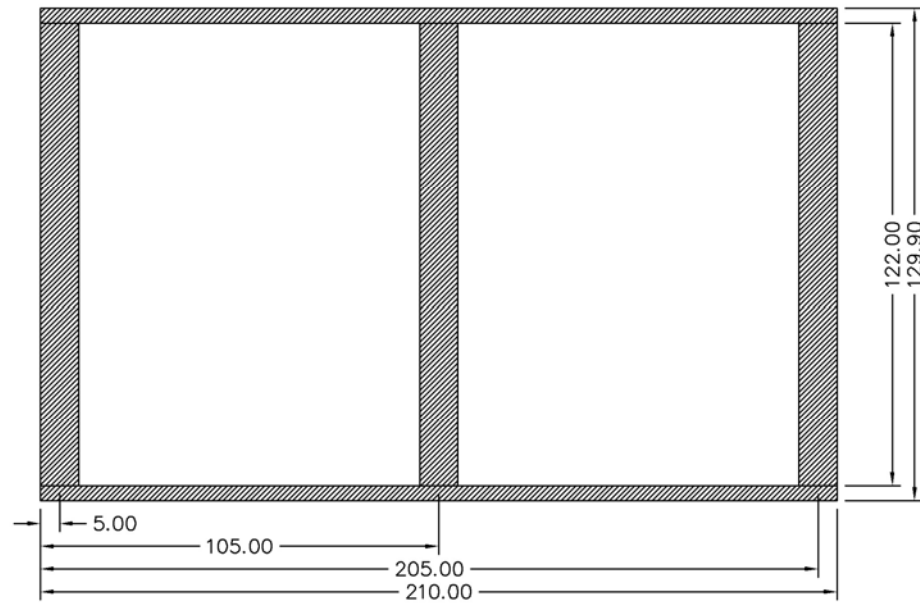
NOTE: (24) 5/8 UNC X 1.500 LONG STUDS EQUALLY SPACED STRADDLE CENTERLINES. STUDS FOR BURNER REFRACTORY (DRY OVEN) MOUNTING. REFRACTORY MUST EXTEND 27.00" MINIMUM PAST MOUNTING FLANGE.



Notes:
150# Steam design shown, all dimensions given in inches.
Fuel piping and/or optional boiler trim may increase overall width.
Specifications subject to change to incorporate engineering advances.

MODEL: PFTX 1600-4

Base Diagram

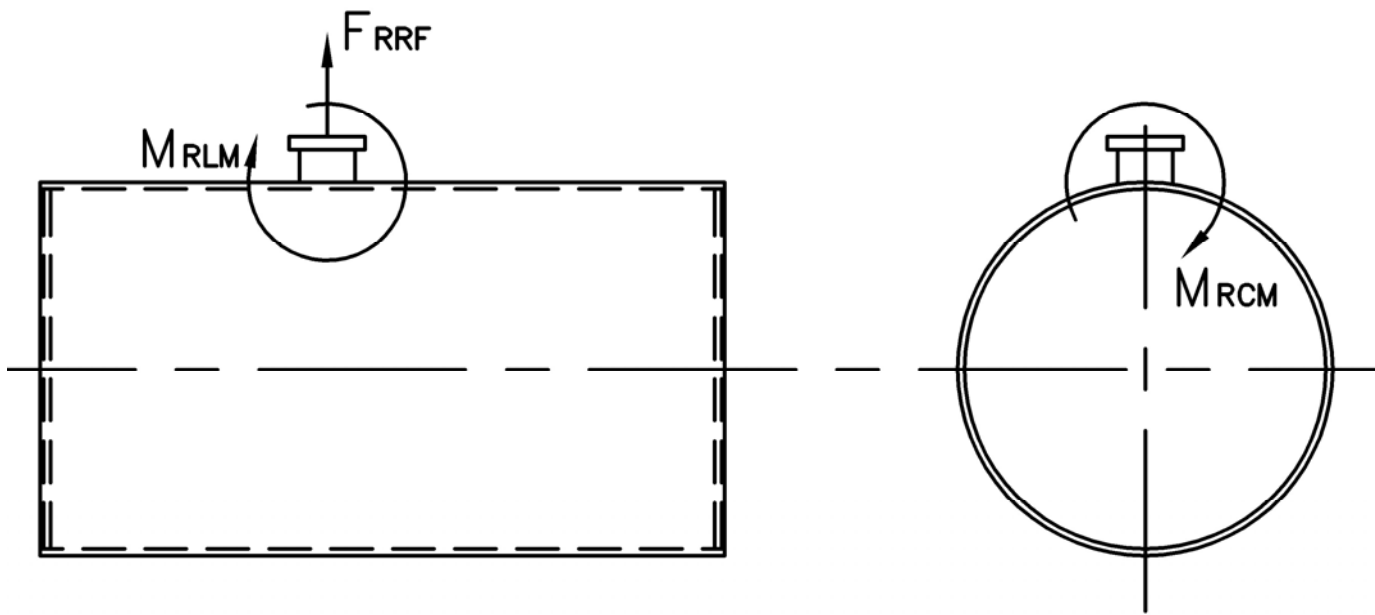


Thermal Expansion					
psig	15	150	200	250	300
Metal T_{MAX} (F)	240	366	388	406	421
L (in)	0.137	0.230	0.248	0.263	0.275
MS (in)	0.010	0.017	0.018	0.019	0.020
HT (in)	0.136	0.229	0.247	0.262	0.275

MODEL: PFTX 1600-4

Nozzle Loadings

Maximum Allowable Load on Boiler Steam Nozzle					
	15# Design	150# Design	200# Design	250# Design	300# Design
F_{RRF} , lb	7,130	5,185	6,630	9,895	18,450
M_{RCM} , in-lb	71,285	91,165	102,360	192,230	314,810
M_{RLM} , in-lb	103,725	70,780	94,550	158,170	238,145



Distributed By:



300 Pine Street
P.O. Box 300
Ferrysburg, MI 49409-0300
Telephone: (616) 842-5050
Net: www.johnstonboiler.com

Printed June 2007