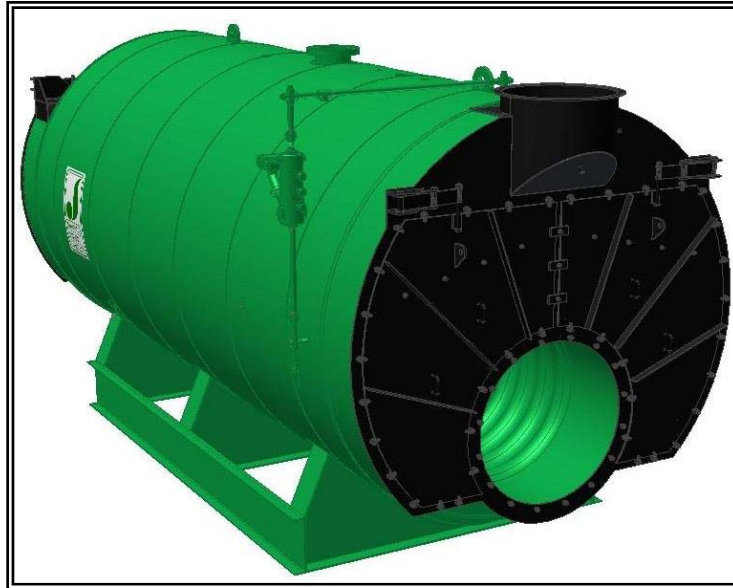




MODEL: PFTX 125-4

4-Pass Steam Packaged Firetube Boiler

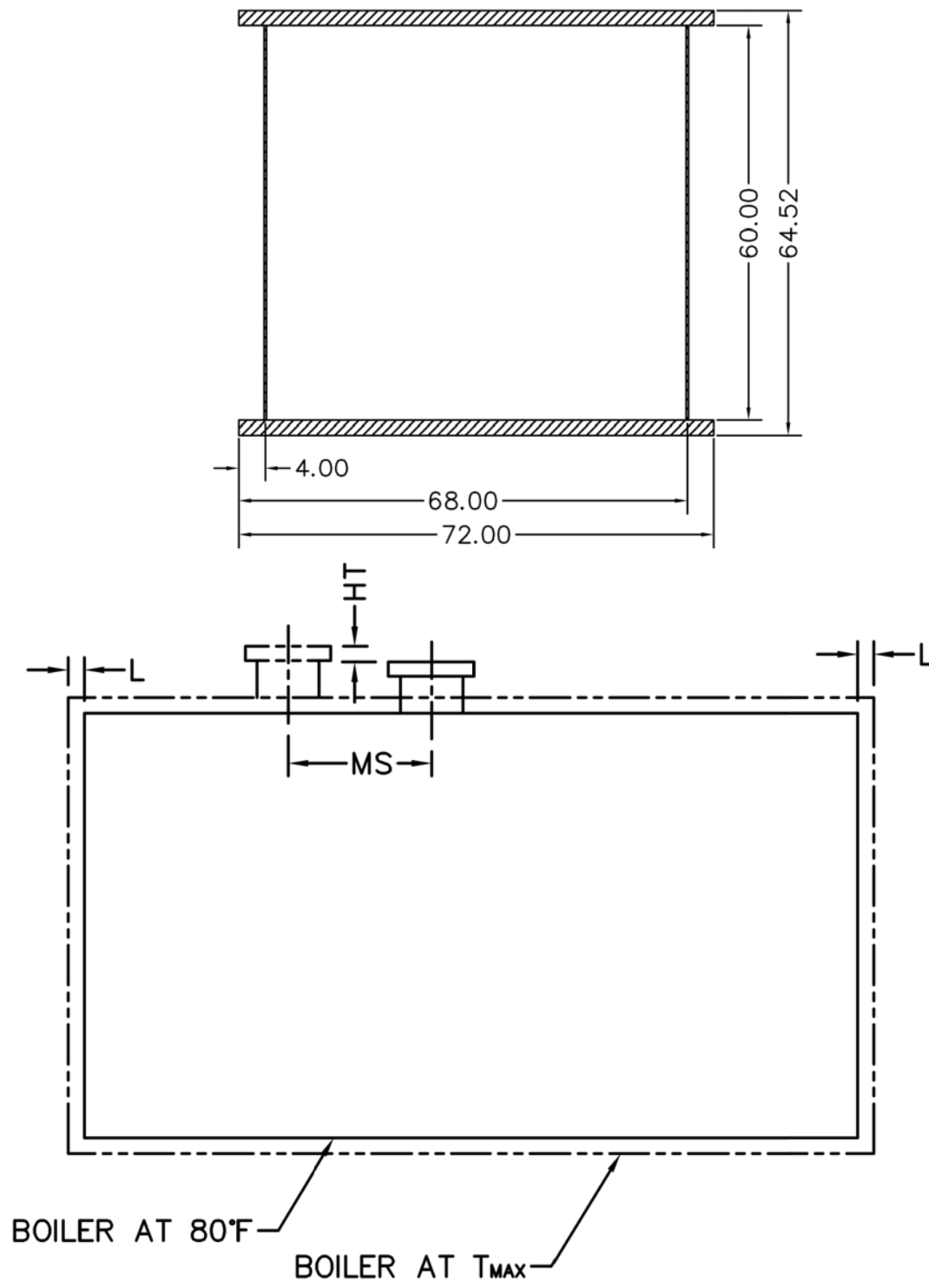


Ratings & Performance Data

Horsepower 125							
Steam Storage, ft ³	28.9	Natural Gas Flow, SCFH (1,000 Btu/ft ³)**	5,116				
Steam Disengaging Area, ft ²	39.9	Combustion Air (15% Excess), SCFM***	936				
Total Heating Surface, ft ²	652	Flue Gas Flow Rate, lb/hr***	4,461				
Furnace Outside Diameter, in	30.5	Stack Flue Gas Velocity, ft/min***	1,534				
Furnace Heat Release Rate, Btu/ft ³ hr**	163,000	#2 Oil Flow, gal/hr (140,000 BTU/gal)**	35.2				
Total Combustion Volume, ft ³	52.5	#6 Oil Flow, gal/hr (150,000 BTU/gal)**	32.5				
Total Heat Release Rate, Btu/ft ³ hr**	97,000	Flue Gas Side Pressure Drop, in. H ₂ O	2.6				
Water Content N.W.L., gal	961	Water Content Flooded, gal.	1,177				
Approx. Dry Weight 15#, lb	13,000	Approx. Operating Weight 15#, lb.	21,000				
Approx. Dry Weight 150#, lb	13,800	Approx. Operating Weight 150#, lb.	21,800				
Approx. Dry Weight 200#, lb	14,900	Approx. Operating Weight 200#, lb.	22,900				
Approx. Dry Weight 250#, lb	15,800	Approx. Operating Weight 250#, lb.	23,800				
Approx. Dry Weight 300#, lb	16,700	Approx. Operating Weight 300#, lb.	24,700				
Performance Data*							
Operating Pressure (psig)	Steam Rate (lb/hr)	Natural Gas		#2 Oil		#6 Oil	
		Stack Temp (F)	%Eff	Stack Temp (F)	%Eff	Stack Temp (F)	%Eff
10	2,778	294	84.3	303	87.4	288	88.3
50	2,724	351	82.8	360	85.9	349	86.8
100	2,695	391	81.8	400	84.8	392	85.8
150	2,679	419	81.1	428	84.1	422	85.0
200	2,669	441	80.5	450	83.5	446	84.4
250	2,662	459	80.0	468	83.0	466	83.9
300	2,658	475	79.6	484	82.6	483	83.5
*Based on 228°F feedwater and 3% O ₂ , ** Values calculated at 100 psi operating pressure, ***Calculated Firing Natural Gas							

MODEL: PFTX 125-4

Base Diagram

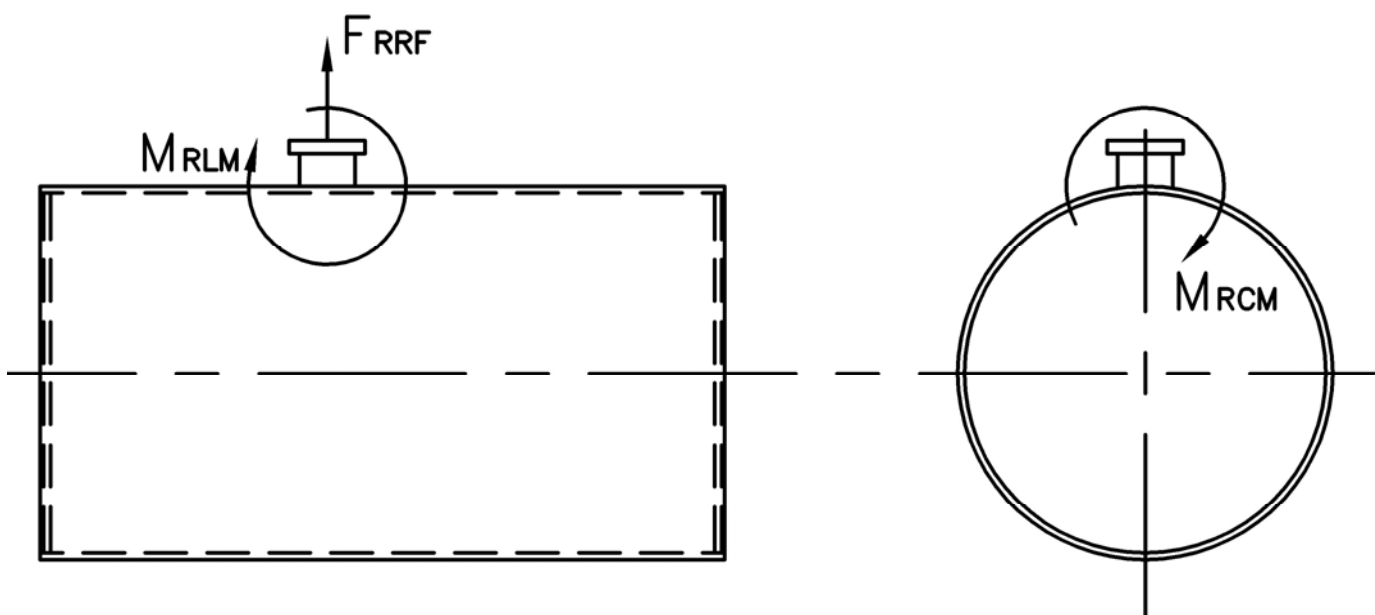


Thermal Expansion					
psig	15	150	200	250	300
Metal T _{MAX} (F)	240	366	388	406	421
L (in)	0.055	0.093	0.101	0.107	0.112
MS (in)	0.004	0.006	0.006	0.007	0.007
HT (in)	0.072	0.121	0.130	0.138	0.145

MODEL: PFTX 125-4

Nozzle Loadings

Maximum Allowable Load on Boiler Steam Nozzle					
	15# Design	150# Design	200# Design	250# Design	300# Design
F_{RRF} , lb	4,030	1,280	1,280	2,135	2,135
M_{RCM} , in-lb	19,615	8,645	8,645	14,800	14,800
M_{RLM} , in-lb	30,560	6,655	6,655	13,355	13,355



Distributed By:



300 Pine Street
P.O. Box 300
Ferrysburg, MI 49409-0300
Telephone: (616) 842-5050
Net: www.johnstonboiler.com