

MODEL: PFTS 1800-3

3-Pass Hot Water Packaged Firetube Boiler

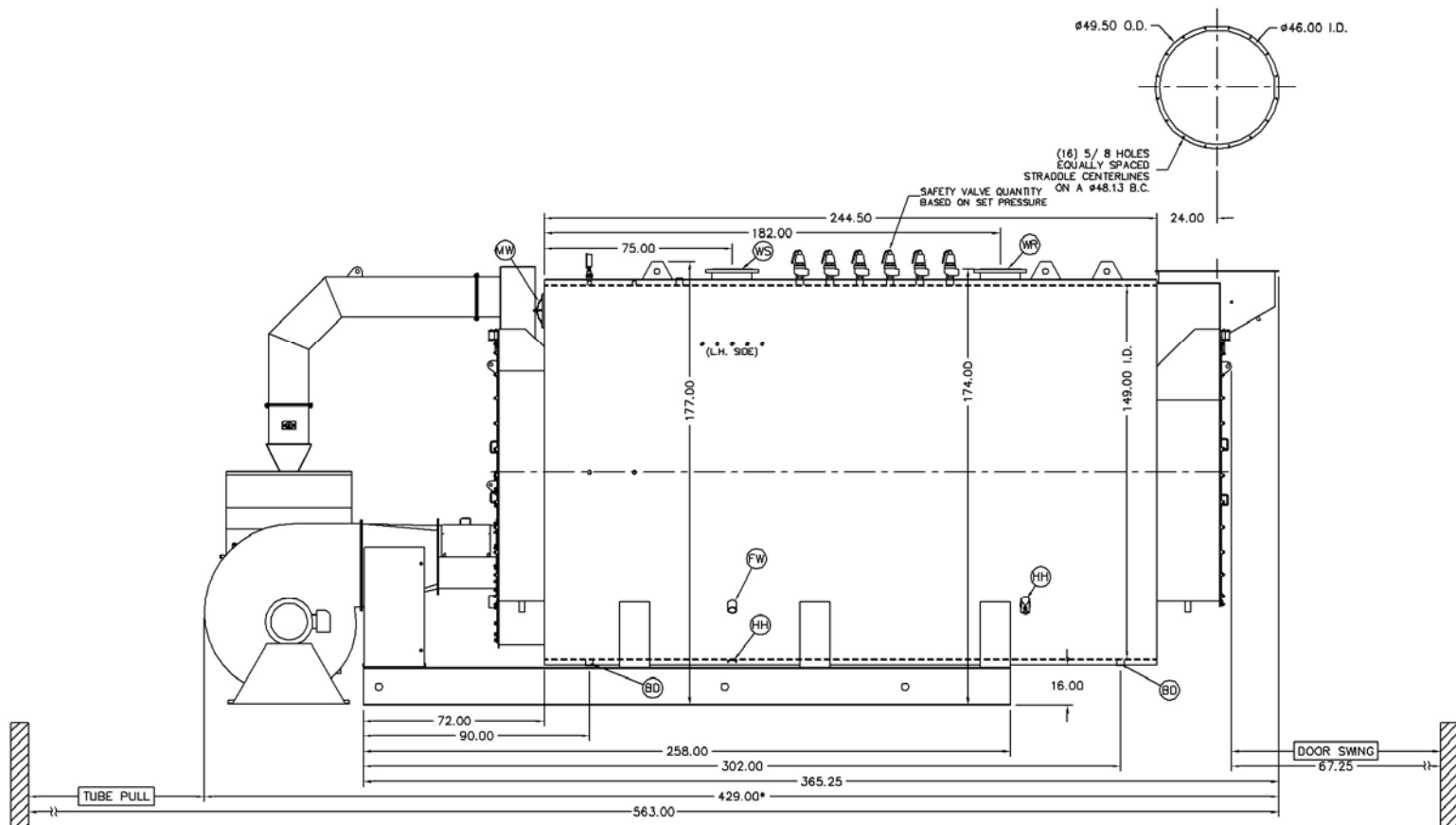
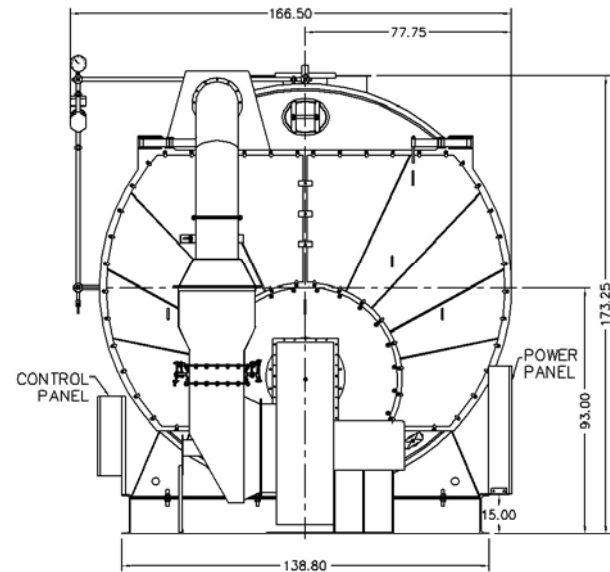


Ratings & Performance Data

Horsepower 1800		Natural Gas Flow, SCFH (1,000 Btu/ft ³)**	70,730			
Total Heating Surface, ft ²	8,962	Combustion Air (15% Excess), SCFM***	12,942			
Furnace Outside Diameter, in	66.5	Flue Gas Flow Rate, lb/hr***	61,680			
Furnace Heat Release Rate, Btu/ft ³ hr**	181,000	Stack Flue Gas Velocity, ft/min***	1,708			
Total Combustion Volume, ft ³	581.4	#2 Oil Flow, gal/hr (140,000 Btu/gal)**	487.9			
Total Heat Release Rate, Btu/ft ³ hr**	122,000	#6 Oil Flow, gal/hr (150,000 Btu/gal)**	452.1			
Water Content Flooded, gal	10,133	Flue Gas Side Pressure Drop, in. H ₂ O	4.8			
Approx. Dry Weight 30#, lb	98,900	Approx. Operating Weight 30#, lb	185,100			
Approx. Dry Weight 60#, lb	105,000	Approx. Operating Weight 60#, lb	191,200			
Approx. Dry Weight 125#, lb	125,000	Approx. Operating Weight 125#, lb	211,200			
Performance Data						
Operating Temperature (F)	Natural Gas		#2 Oil		#6 Oil	
	Stack Temp (F)	%Eff	Stack Temp (F)	%Eff	Stack Temp (F)	%Eff
180	261	85.6	275	88.7	286	89.3
200	280	85.2	294	88.2	305	88.9
220	299	84.7	313	87.8	323	88.4
240	318	84.3	332	87.3	342	88.0
*Based on 20°F difference in supply/return, ** Values calculated at 200°F operating temperature, ***Calculated Firing Natural Gas						

Drawings - 3-Pass Hot Water Packaged Firetube Boiler

Connection & Opening Schedule			
Conn.	Description	Type	Qty
FW	Feedwater Inlet	2.50 FNPT	2
WS	Water Supply	14.00 150#RF	1
WR	Water Return	14.00 150#RF	1
DO	Drain Outlet	2.00 FNPT	2
MW	Manway	12 X 16	1
HH	Hand Hole	4 X 6	7
Supply and return outlets ASME flanged drilling			



Notes:

30# Hot Water design shown, all dimensions given in inches.

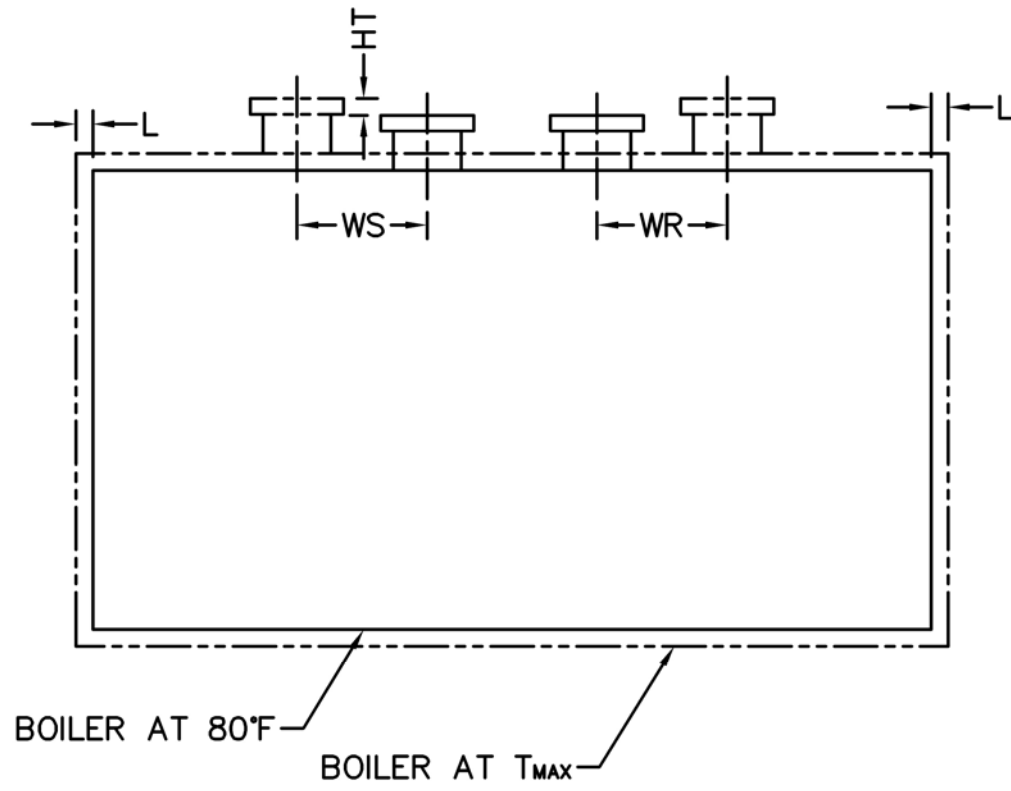
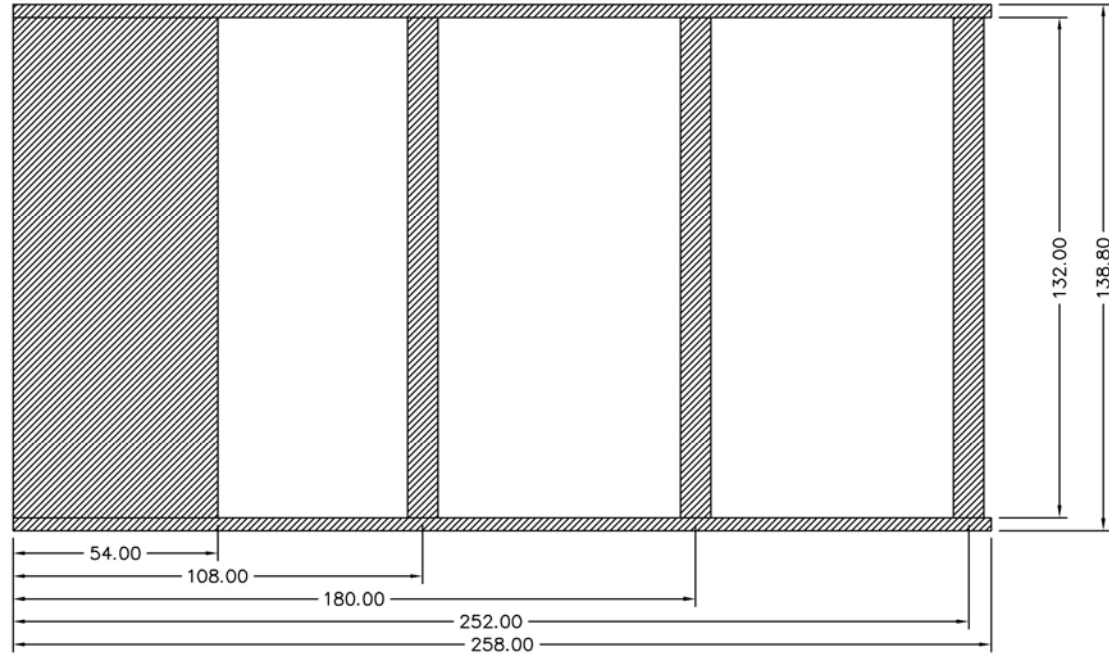
Fuel piping and/or optional boiler trim may increase overall width.

Specifications subject to change to incorporate engineering advances.

*May vary on low-NO_x designs.

MODEL: PFTS 1800-3

Base Diagram

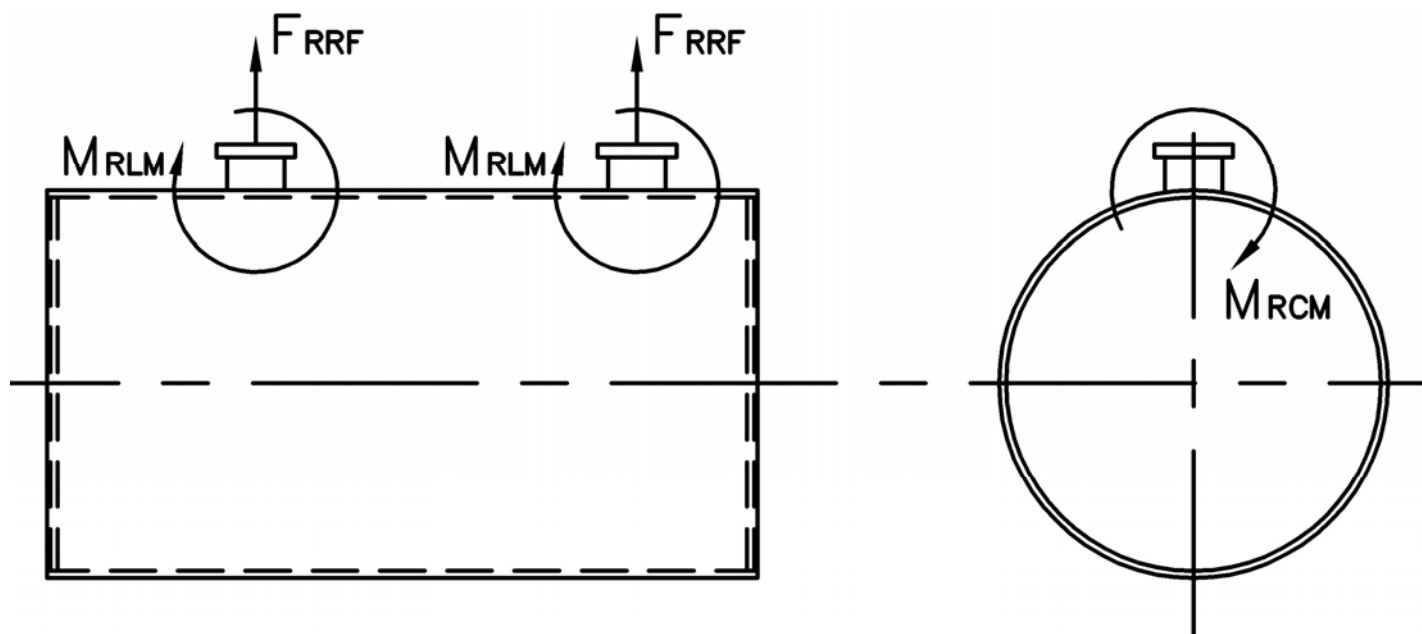


Thermal Expansion				
Metal T _{MAX} (F)	180	200	220	240
L (in)	0.073	0.088	0.103	0.117
WS (in)	0.011	0.013	0.015	0.017
WR (in)	0.053	0.064	0.075	0.085
HT (in)	0.090	0.108	0.126	0.144

MODEL: PFTS 1800-3

Nozzle Loadings

Maximum Allowable Load on Outlet & Return Nozzles				
	30# Design	60# Design	125# Design	160# Design
FRRF, lb	6,570	4,400	10,060	24,695
MRCM, in-lb	73,145	73,145	211,650	352,760
MRLM, in-lb	104,275	69,825	168,525	451,605



Distributed By:



300 Pine Street
P.O. Box 300
Ferrysburg, MI 49409-0300
Telephone: (616) 842-5050
Net: www.johnstonboiler.com

Stack Emissions-Natural Gas (1,000 Btu/CF)				
	PPMv (Corr to 3% O ₂)	lb/MBtu	lb/hr @ Full Rate	Ton/Yr @ Full Rate
NO _x *	110	0.131	9.262	40.569
	30	0.036	2.526	11.064
	9	0.011	0.758	3.319
CO	50	0.037	2.60	11.381
CO ₂	2.55 lb/lb fuel	119.76	8,471	37,101
H ₂ O	2.03 lb/lb fuel	106.16	7,509	32,888
Stack Emissions-#2 Oil** (140,000 Btu/gal)				
NO _x	128	0.174	11.893	52.091
CO	50	0.037	2.509	10.992
CO ₂	3.20 lb/lb fuel	168.53	11,512	50,423
H ₂ O	1.12 lb/lb fuel	71.20	4,864	21,302
* 110 ppm "A" Burner, 30 ppm A-FGR Burner, 9 ppm FIR Burner **0.02% fuel bound Nitrogen				

Printed Feb. 2008