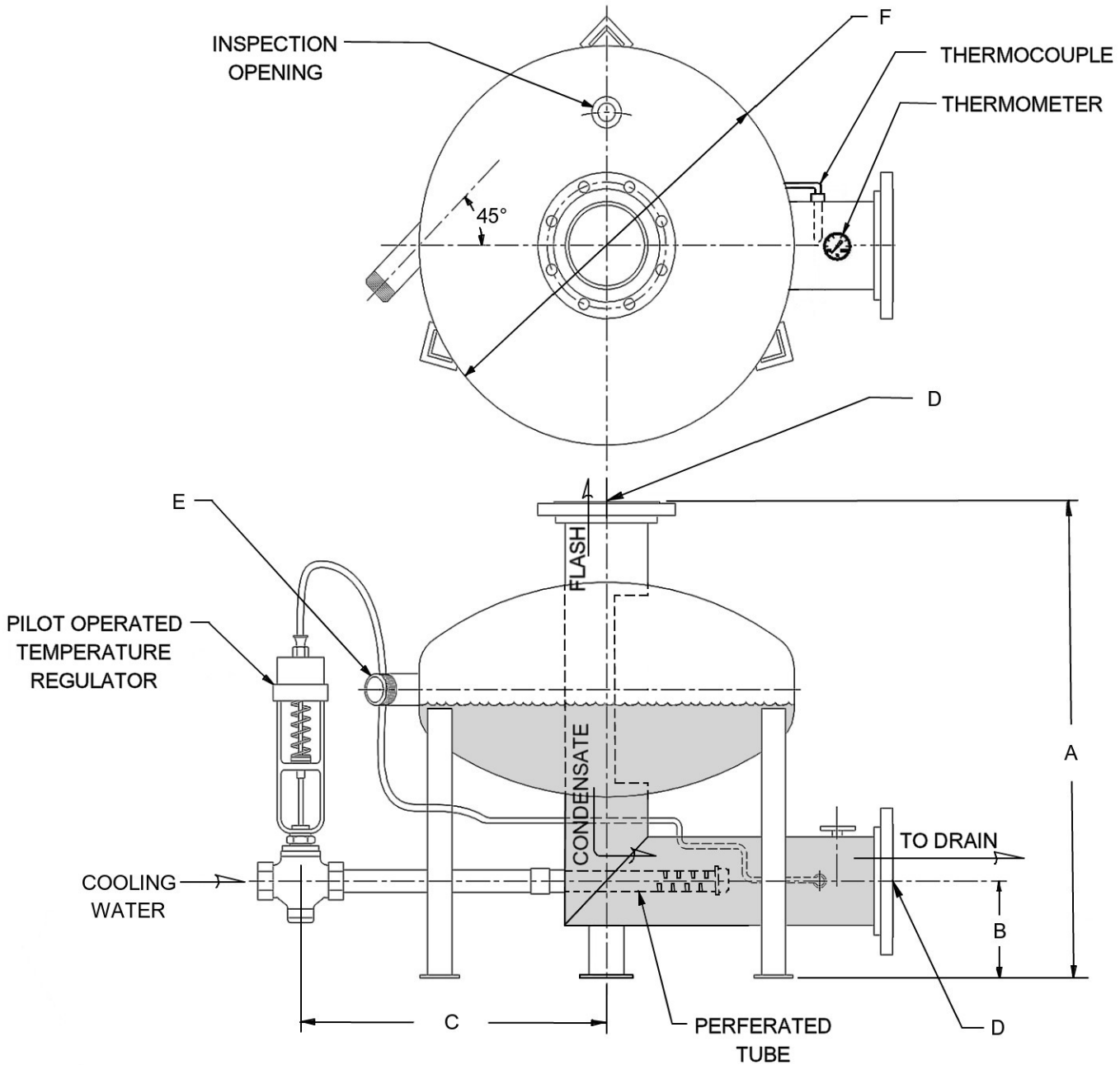
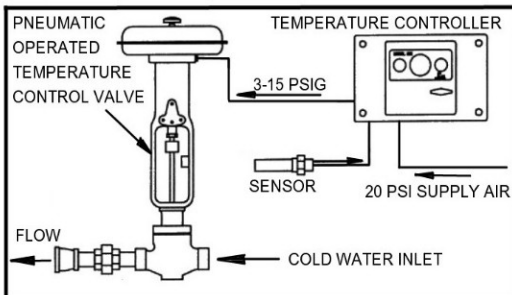


## SERIES 557 BLOWDOWN SEPERATOR



	A	B	C	D	E	F	WEIGHT EMPTY	WEIGHT FULL
MODEL J4	32"	7"	21"	5" 150# FLG.	1.50" NPT	24" DIA.	242 lbs.	392 lbs.
MODEL J5	36"	7.5"	23"	6" 150# FLG.	2" NPT	30" DIA.	273 lbs.	426 lbs.

Optional temperature valve control moduel



PILOT OPERATED TEMPERATURE REGULATOR

THERMOMETER

NOTES: