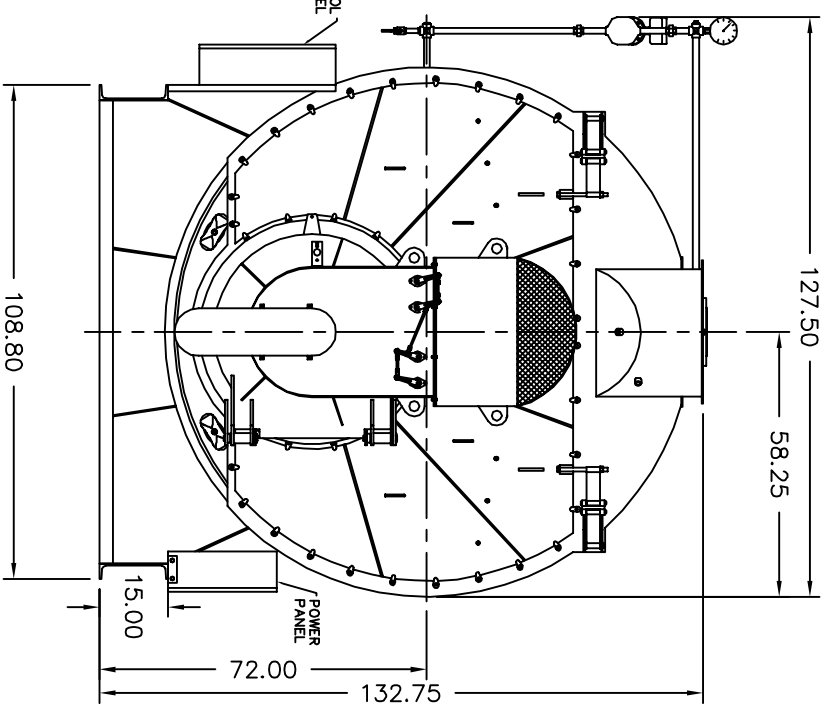
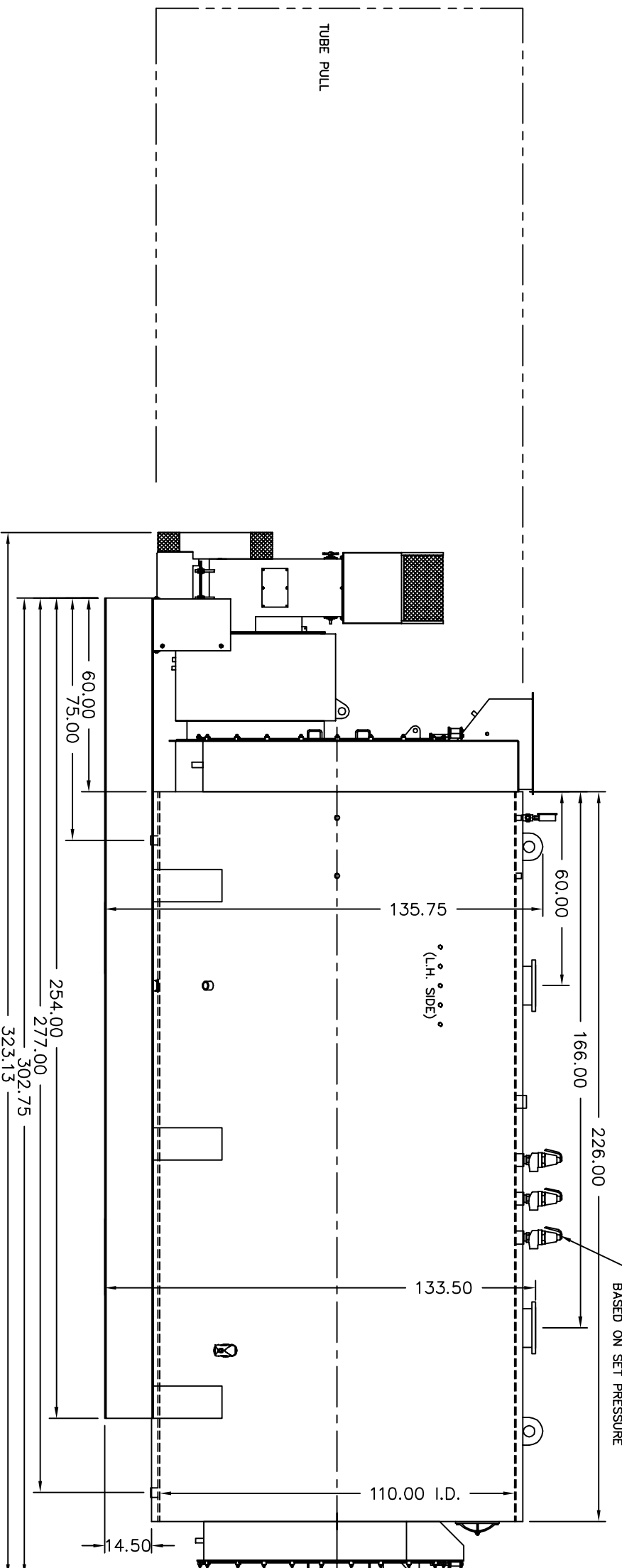
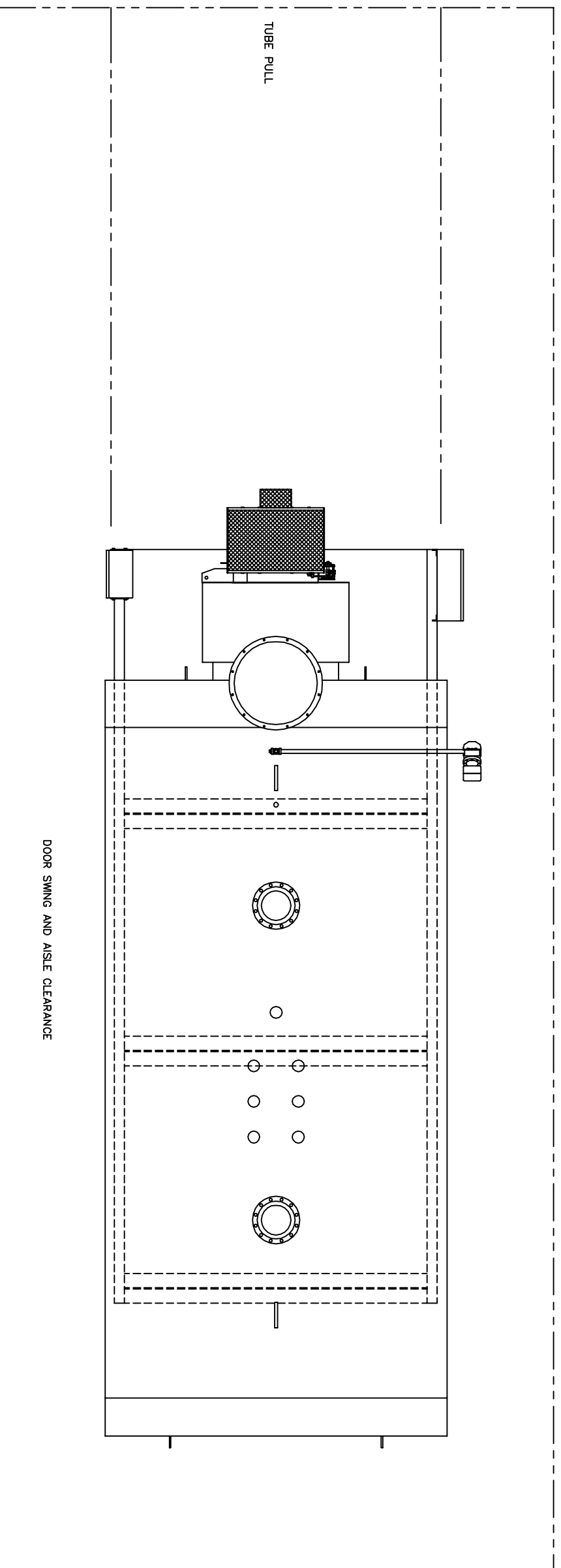


NOTES:

1. MINIMUM AISLE CLEARANCE 36" FROM BOILER SIDES AND REAR. (THIS REQUIREMENT MAY VARY WITH LOCATION. CHECK STATE AND LOCAL CODES IN THE AREA OF INSTALLATION.)
2. OPTIONS AND ADDITIONAL EQUIPMENT ORDERED MAY AFFECT OVERALL DIMENSIONS. DRAWINGS ARE FOR STANDARD BOILER PACKAGE.

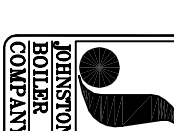


DWG NO. 300B0461

REVISIONS

NO.	DESCRIPTION

REFERENCE DRAWINGS:  
 BLWR HOUSING: #216B0122  
 PLENUM: #212B0156  
 P.V. BASE: #101B0342  
 FR FLUE BOX: #201B0251  
 RR FLUE BOX: #203B0149  
 #206B0139



THIS DRAWING IS THE PROPERTY OF THE JOHNSTON BOILER COMPANY. THE DISCLOSURES CONTAINED ON THIS DRAWING ARE MADE WITH THE UNDERSTANDING THAT THEY ARE CONFIDENTIAL AND WILL NOT BE USED IN ANY WAY DETRIMENTAL TO THIS COMPANY'S INTEREST.

SCALE	CAD/FULL	DATE	2-26-07
DRAWN	JRS	CHECKED	
APPROVED		DWG. NO.	300B0461-01
JOHNSTON BOILER COMPANY			SO#
FERRYSBURG, MICHIGAN 49409			
BOILER TEMPLATE - 509			
PFTA800-4-30#W			
REV			