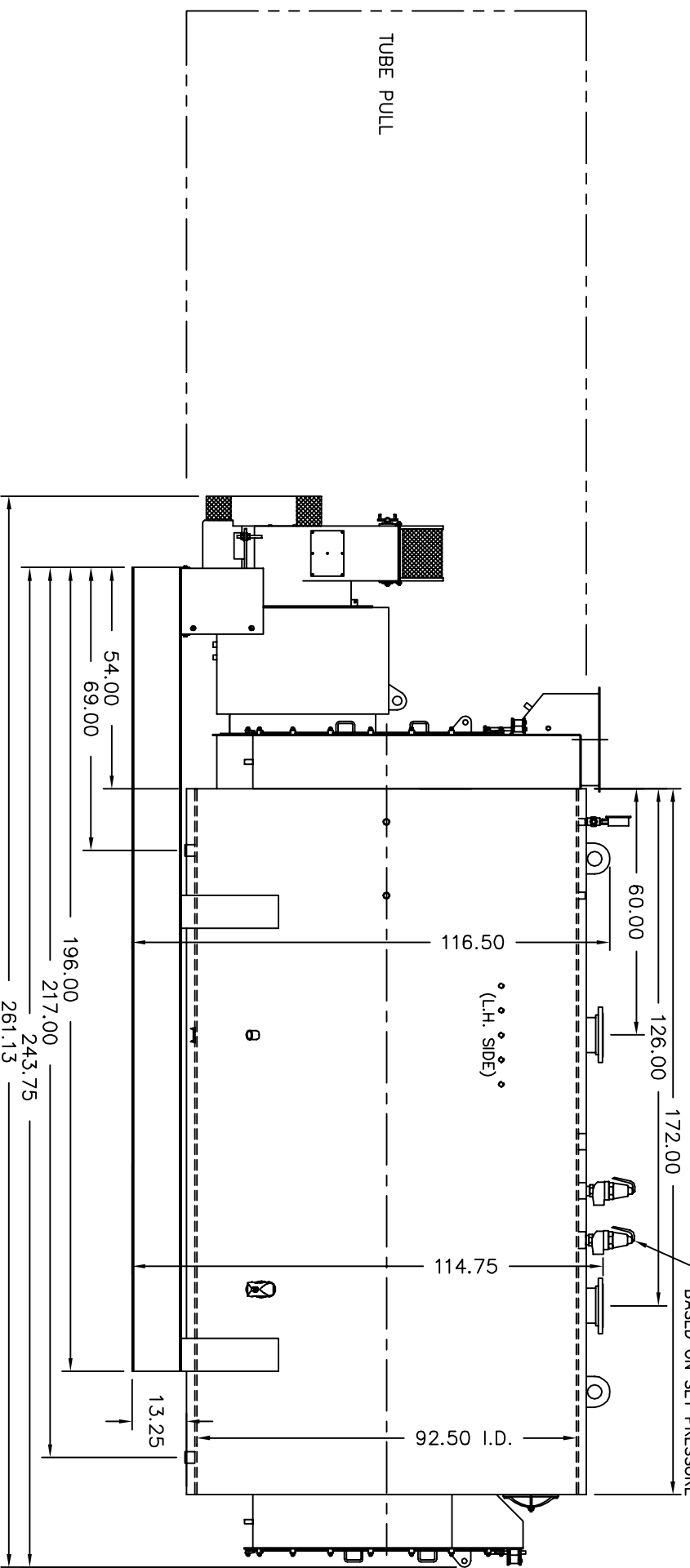
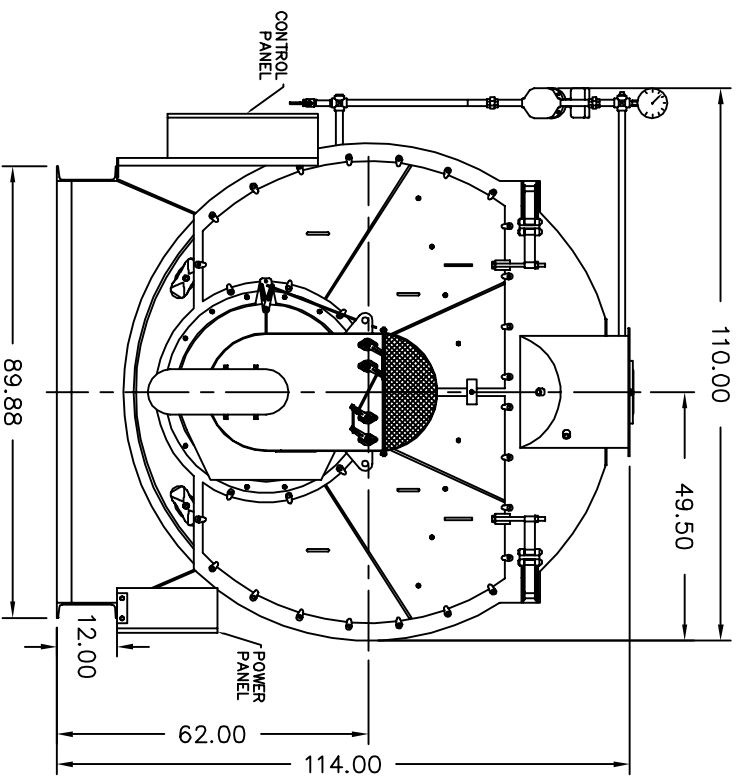
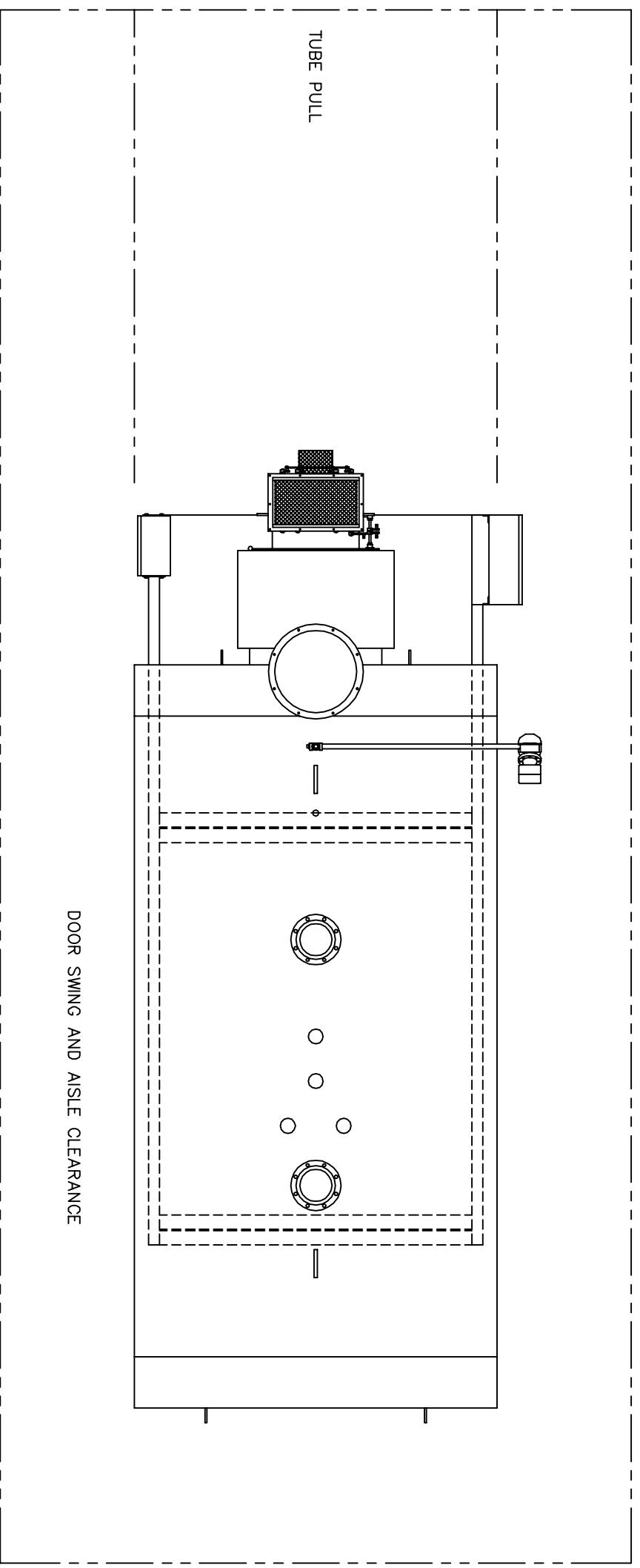


NOTES:

1. MINIMUM AISLE CLEARANCE 36" FROM BOILER SIDES AND REAR. (THIS REQUIREMENT MAY VARY WITH LOCATION. CHECK STATE AND LOCAL CODES IN THE AREA OF INSTALLATION.)
2. OPTIONS AND ADDITIONAL EQUIPMENT ORDERED MAY AFFECT OVERALL DIMENSIONS. DRAWINGS ARE FOR STANDARD BOILER PACKAGE.

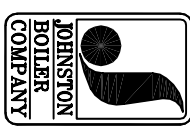


DWG NO. 300B0457

REVISIONS

NO.	DESCRIPTION

REFERENCE DRAWINGS  
 BLWR HOUSING: #235A0144  
 PLENUM: #212B0148  
 PV: #01B0297  
 PV BASE: #201B0226  
 FR FLUE BOX: #205B0133  
 RR FLUE BOX: #206B0151



THIS DRAWING IS THE PROPERTY OF THE JOHNSTON BOILER COMPANY. THE DISCLOSURES CONTAINED ON THIS DRAWING ARE MADE WITH THE UNDERSTANDING THAT THEY ARE CONFIDENTIAL AND WILL NOT BE USED IN ANY WAY DETRIMENTAL TO THIS COMPANY'S INTEREST.

SCALE	CAD/FULL	<b>JOHNSTON BOILER COMPANY</b> FERRYSBURG, MICHIGAN 49409 BOILER TEMPLATE - 509 PFTA400-4-30#W DWG. NO. 300B0457-01
DATE	DATE	
DRAWN	DATE	SO#
CHECKED	DATE	
APPROVED	DATE	