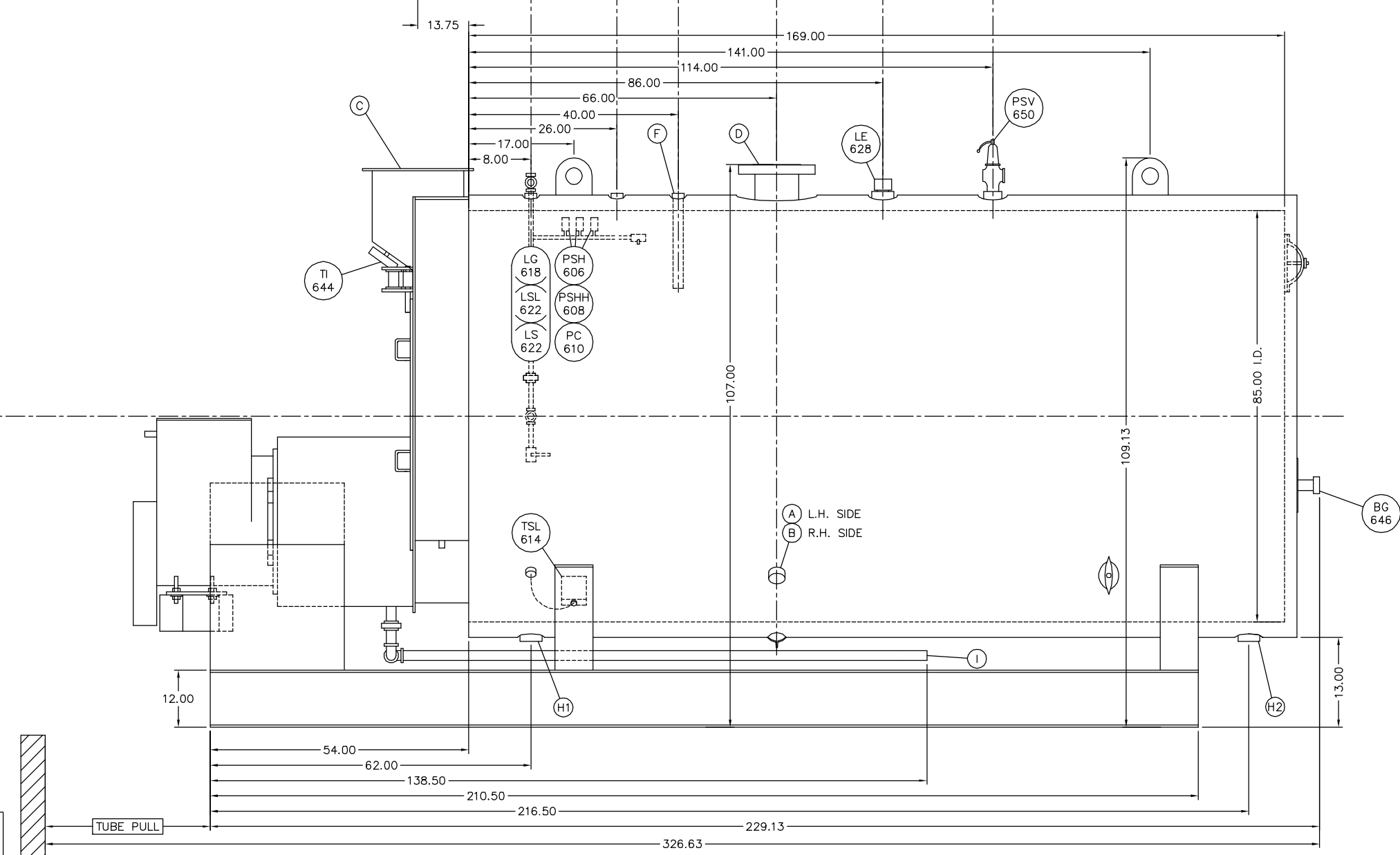
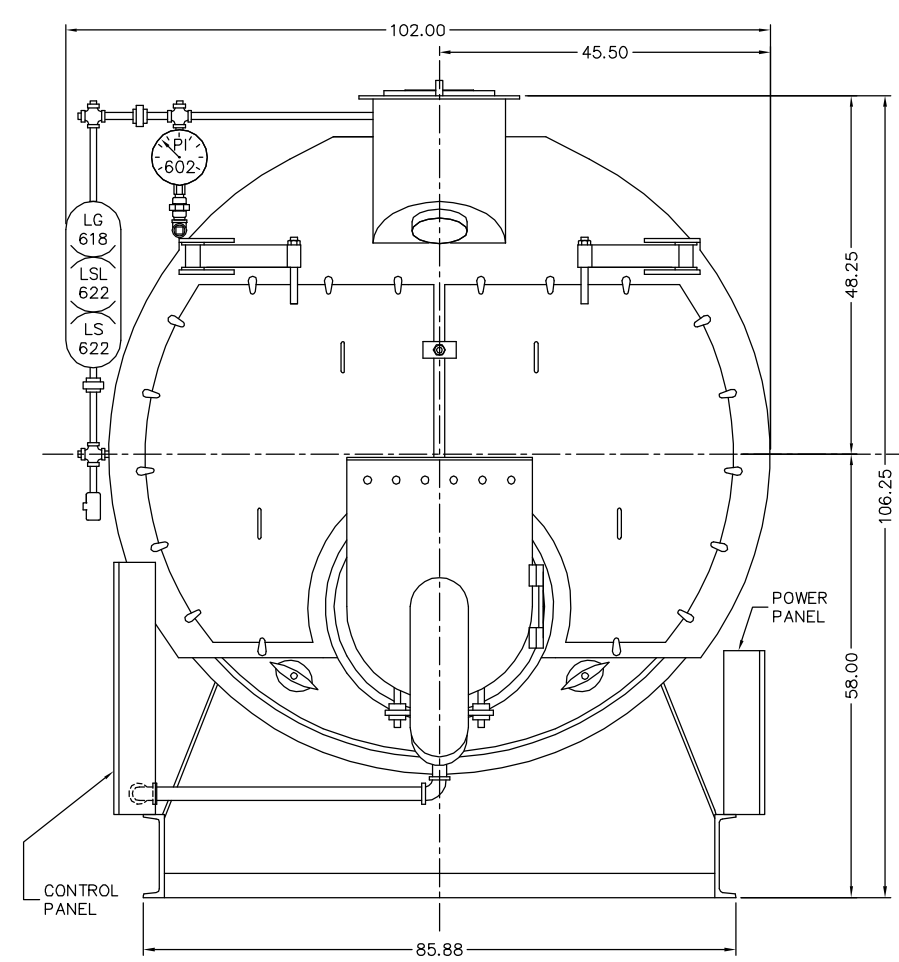
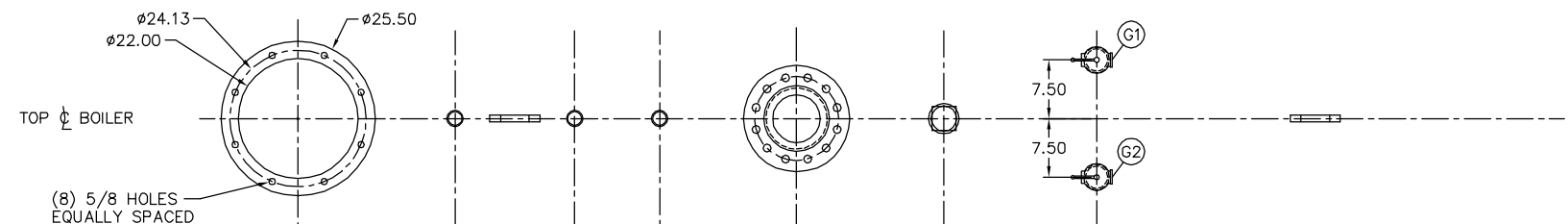


CONNECTION SCHEDULE

CONN.	DESCRIPTION	SIZE	TYPE
A	FEEDWATER INLET	2.00	FNPT
B	AUX. FEEDWATER INLET	2.00	FNPT
C	FLUE OUTLET	22.00	ID
D	MAIN STEAM OUTLET	6.00	300#RF
F	CONTINUOUS BLOWOFF OUTLET	1.00	FNPT
G	SAFETY VALVE OUTLET	2.50	FNPT
H	BLOWDOWN OUTLET	2.00	FNPT
I	MAIN GAS INLET	3.00	FNPT
J	MAIN GAS VENT VALVE OUTLET	1.50	FNPT
L	PILOT GAS VENT VALVE OUTLET	0.38	FNPT



NOTES: THIS DRAWING IS FOR DIMENSIONAL DATA ONLY. SEE PIPING & INSTRUMENTATION DRAWINGS FOR ACTUAL TRIM & INSTRUMENTATION PROVIDED. ALL DIMENSIONS IN INCHES UNLESS OTHERWISE NOTED. MINIMUM BOILER SIDE & REAR AISLE CLEARANCE: 36.00. ELECTRICAL PANEL LOCATIONS SHOWN ARE APPROXIMATE; CONSULT FACTORY IF PLACEMENT IS CRITICAL. REFER TO NATIONAL ELECTRICAL CODE (NFPA-70) FOR REQUIRED WORKING CLEARANCE ABOUT PANELS; CONSULT LOCAL CODES WHICH MAY SUPERCEDE THESE REQUIREMENTS. BOILER COMPLETELY COVERED WITH 2" INSULATION & NONCORRODING STEEL JACKET.

DWG NO. 300B0414-01

REV	DESCRIPTION



THIS DRAWING IS THE PROPERTY OF THE JOHNSTON BOILER COMPANY. THE DISCLOSURES CONTAINED ON THIS DRAWING ARE MADE WITH THE UNDERSTANDING THAT THEY ARE CONFIDENTIAL AND WILL NOT BE USED IN ANY WAY DETRIMENTAL TO THIS COMPANY'S INTEREST.

SCALE	NONE
DATE	4/23/12
DRAWN	MTN
CHECKED	
APPROVED	

JOHNSTON BOILER COMPANY
 FERRYSBURG, MICHIGAN 49409
 DIMENSIONAL DIAGRAM - XID
 PFXA300/400-2G150S
 DWG. No. 300B0414-01

SO#	
REV	