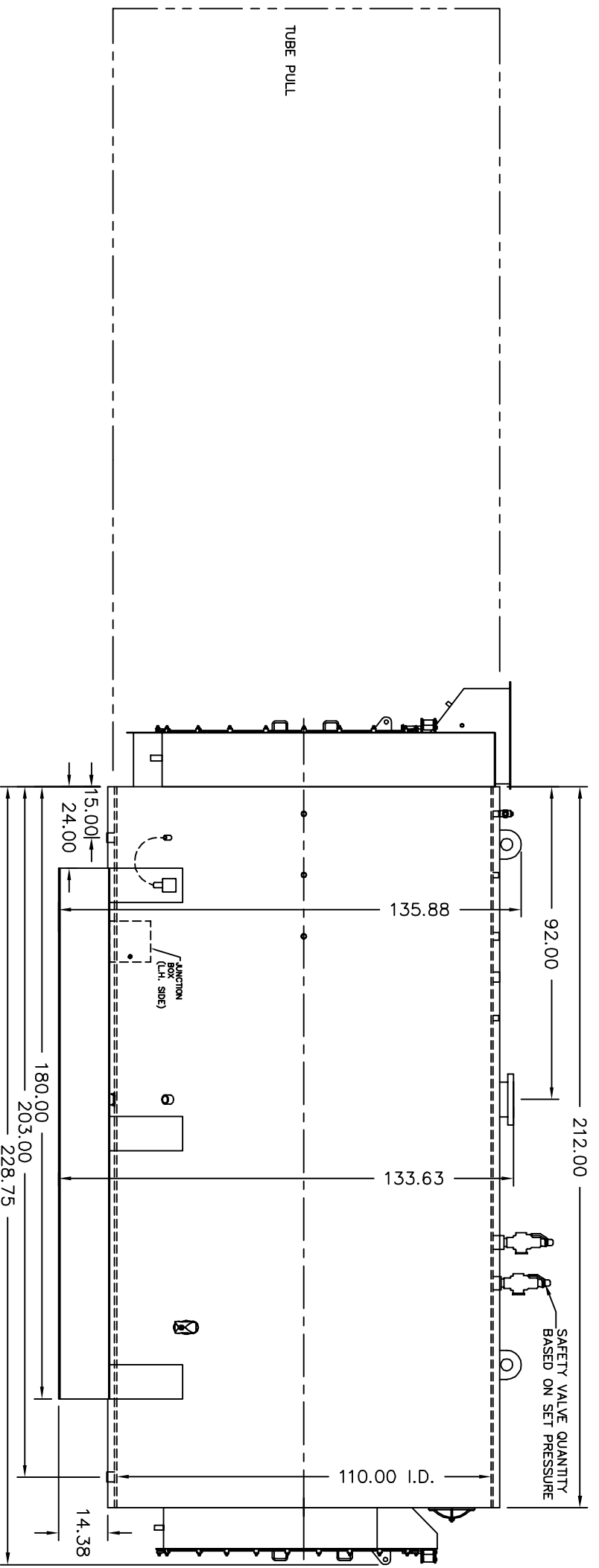
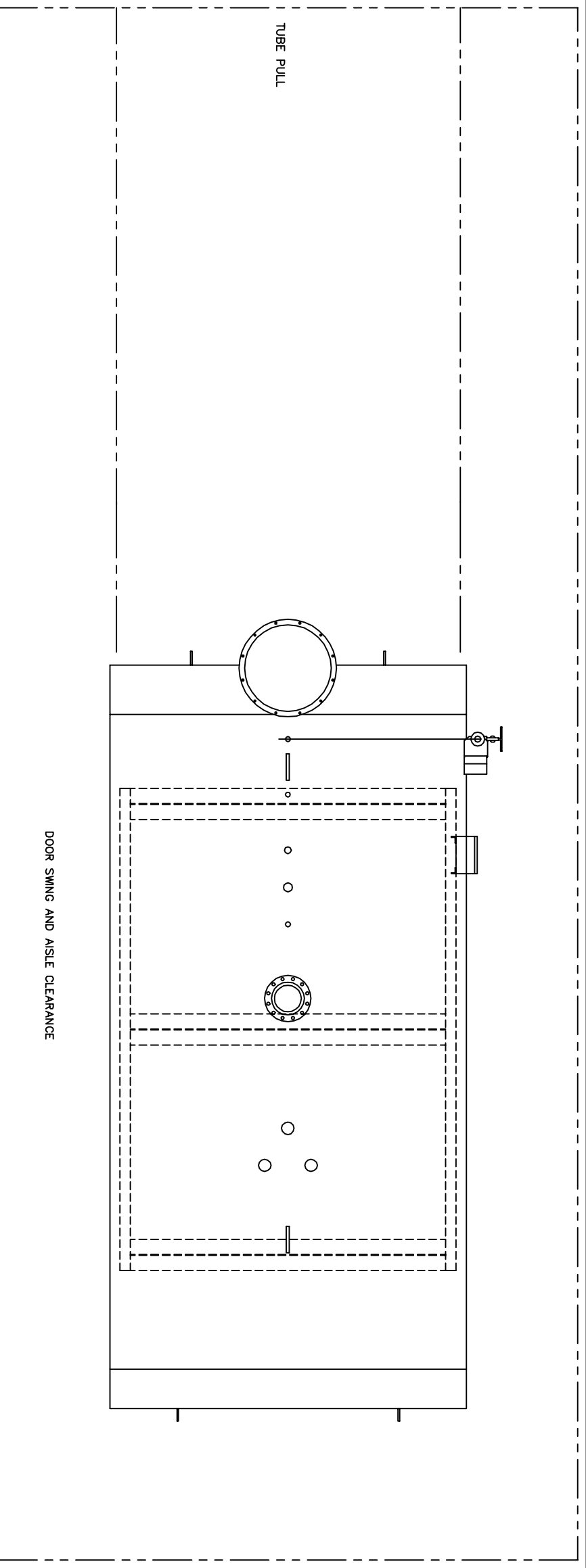
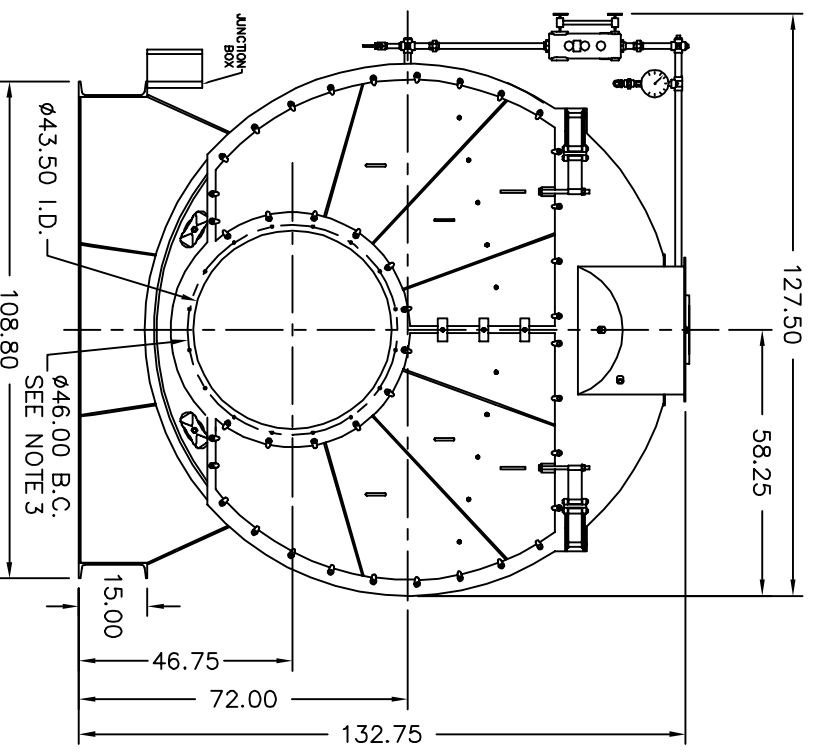
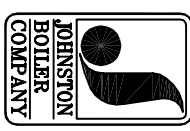


- NOTES:
1. MINIMUM AISLE CLEARANCE 36" FROM BOILER SIDES AND REAR. (THIS REQUIREMENT MAY VARY WITH LOCATION. CHECK STATE AND LOCAL CODES IN THE AREA OF INSTALLATION.)
  2. OPTIONS AND ADDITIONAL EQUIPMENT ORDERED MAY AFFECT OVERALL DIMENSIONS. DRAWINGS ARE FOR STANDARD BOILER PACKAGE.
  3. (16) 5/8 UNC X 1.500 LONG STUDS EQUALLY SPACED STRADDLE CENTERLINES. STUDS FOR BURNER REFRACTORY (DRY OVEN) MOUNTING. REFRACTORY MUST EXTEND 20.00" MINIMUM PAST MOUNTING FLANGE.



REFERENCE DRAWINGS

- PLENUM: #212B0156  
 P.V. BASE: #101B0742  
 RR FLUE BOX: #205B0149  
 RR FLUE BOX: #206B0139



THIS DRAWING IS THE PROPERTY OF THE JOHNSTON BOILER COMPANY. THE DISCLOSURES CONTAINED ON THIS DRAWING ARE MADE WITH THE UNDERSTANDING THAT THEY ARE CONFIDENTIAL AND WILL NOT BE USED IN ANY WAY DETRIMENTAL TO THIS COMPANY'S INTEREST.

SCALE	CAD/FULL
DATE	2-1-07
DRAWN	JKS
CHECKED	
APPROVED	

JOHNSTON BOILER COMPANY  
 FERRYSBURG, MICHIGAN 49409  
 BOILER TEMPLATE - 509  
 PFTX750-4-150#S