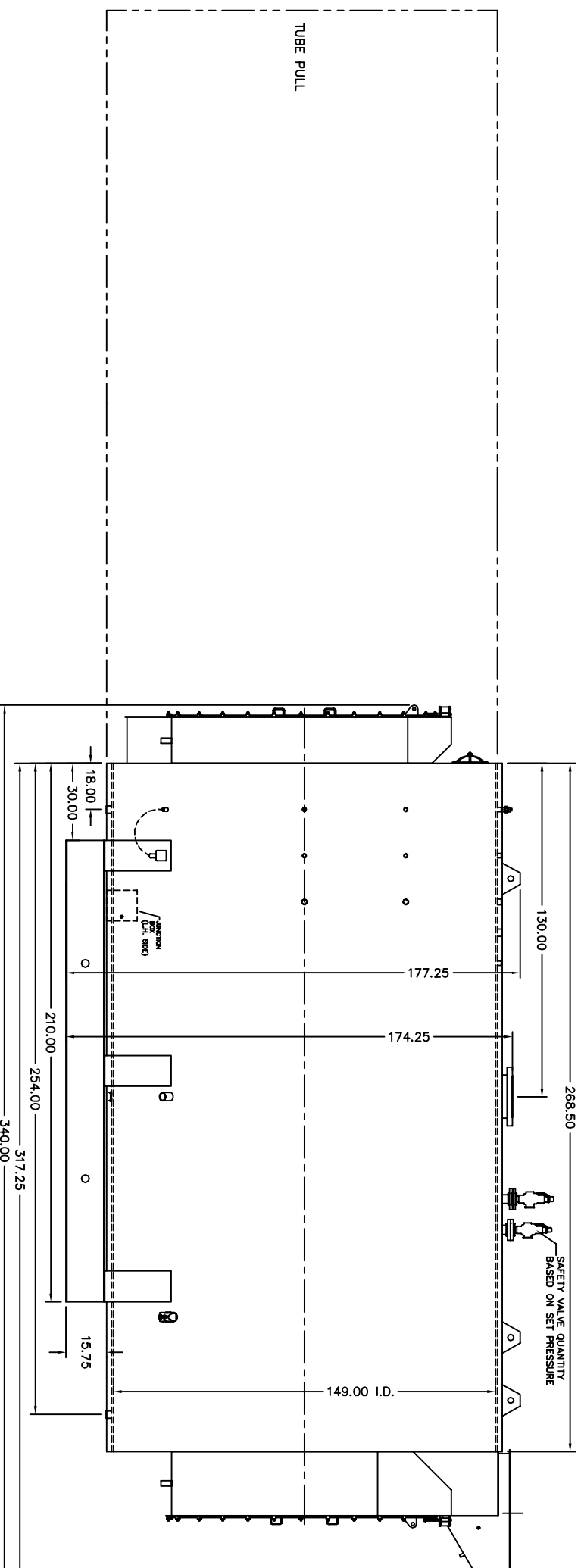
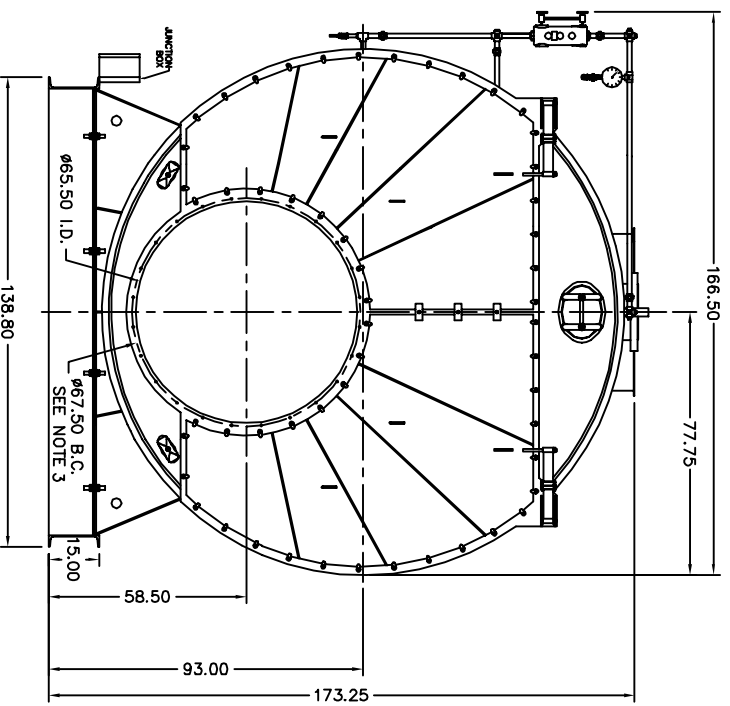
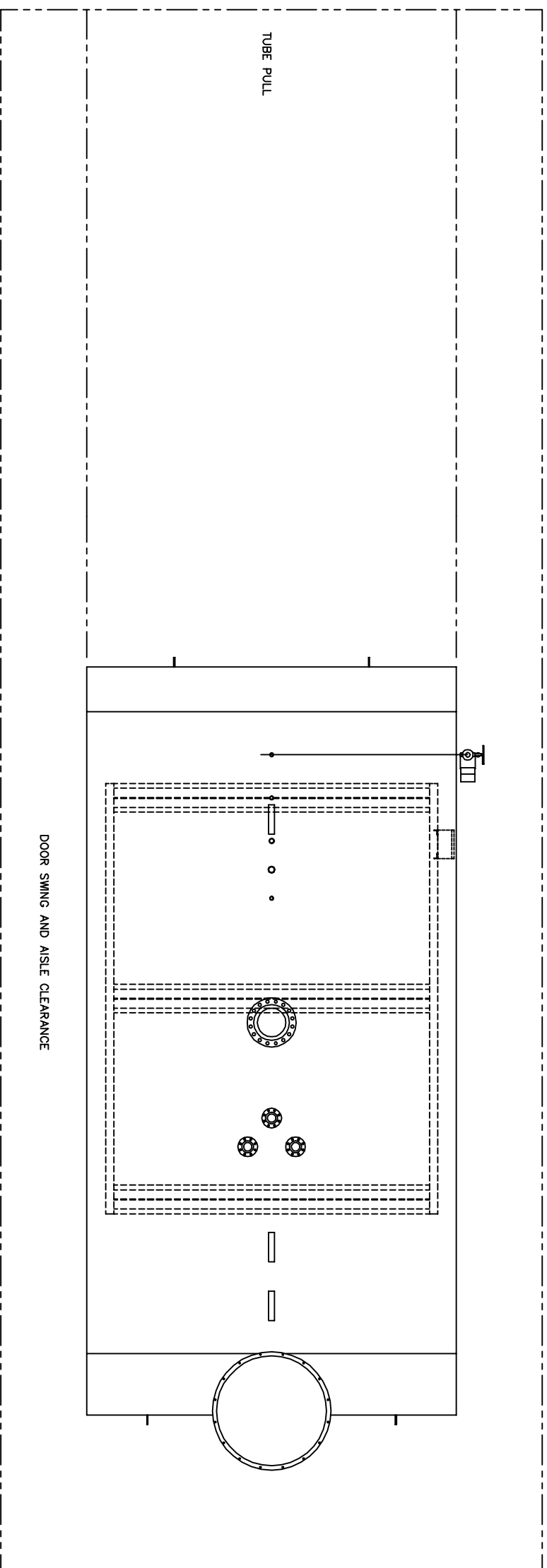


NOTES:

1. MINIMUM AISLE CLEARANCE 36" FROM BOILER SIDES AND REAR. (THIS REQUIREMENT MAY VARY WITH LOCATION. CHECK STATE AND LOCAL CODES IN THE AREA OF INSTALLATION.)
2. OPTIONS AND ADDITIONAL EQUIPMENT ORDERED MAY AFFECT OVERALL DIMENSIONS. DRAWINGS ARE FOR STANDARD BOILER PACKAGE.
3. (24) 5/8 UNC X 1.500 LONG STUDS EQUALLY SPACED STRADDLE CENTERLINES. STUDS FOR BURNER REFRACTORARY (DRY OVEN) MOUNTING. REFRACTORARY MUST EXTEND 22.25" MINIMUM PAST MOUNTING FLANGE.



DWG NO. 300B0365

REVISIONS

--	--

REFERENCE DRAWINGS:
 PV BASE: #20180051
 FR FUE BOX: #20980115
 RR FUE BOX: #20980128



THIS DRAWING IS THE PROPERTY OF THE JOHNSTON BOILER COMPANY. THE DISCLOSURES CONTAINED ON THIS DRAWING ARE MADE WITH THE UNDERSTANDING THAT THEY ARE CONFIDENTIAL AND WILL NOT BE USED IN ANY WAY DETRIMENTAL TO THIS COMPANY'S INTEREST.

SCALE: CAD/FULL
 DATE: 1-31-07
 DRAWN: JRS
 CHECKED: [Signature]
 APPROVED: [Signature]

JOHNSTON BOILER COMPANY
 FERRYSBURG, MICHIGAN 49409
 BOILER TEMPLATE - 509
 PFTX2000-3-150#S
 DWG. NO. 300B0365-03

REV