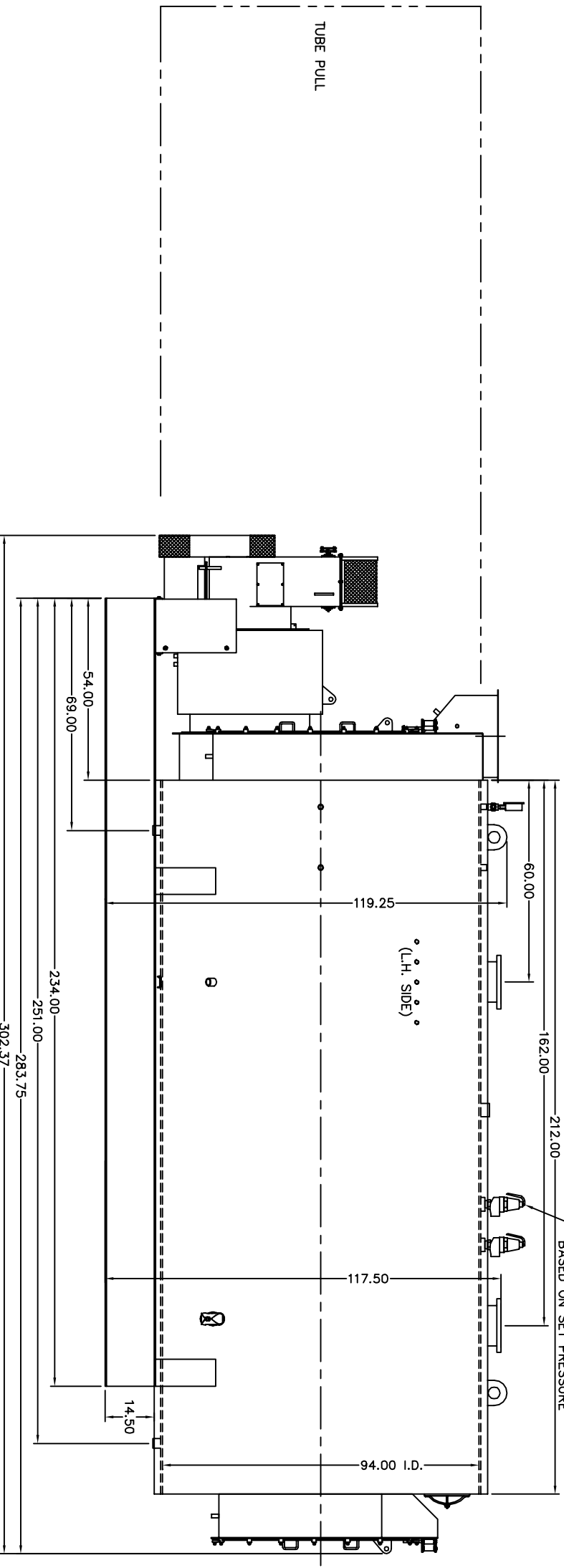
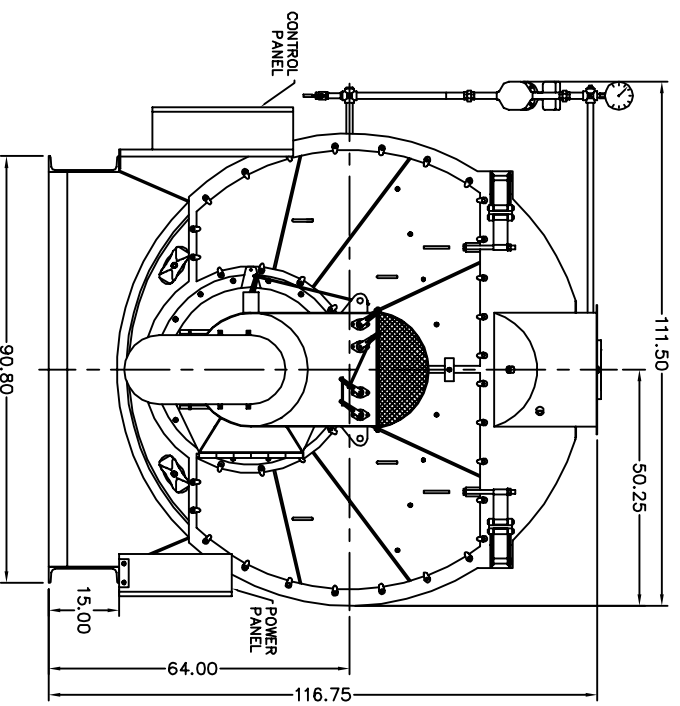
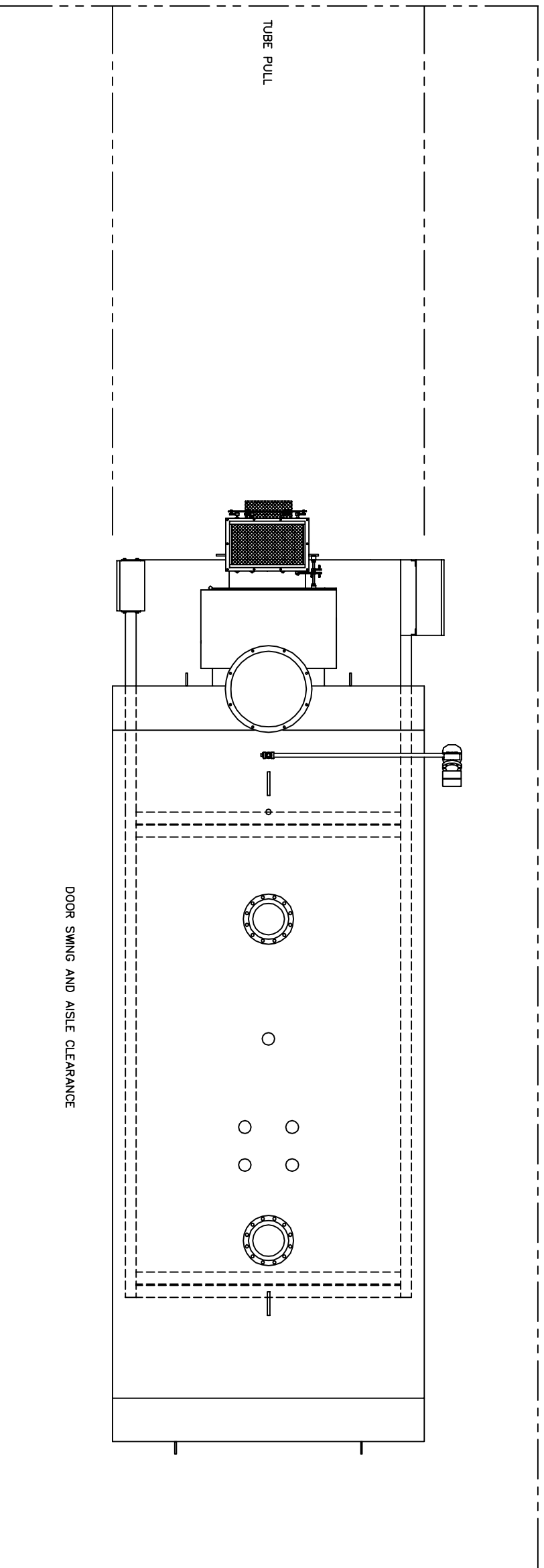


NOTES:

- 1. MINIMUM AISLE CLEARANCE 36" FROM BOILER SIDES AND REAR. (THIS REQUIREMENT MAY VARY WITH LOCATION. CHECK STATE AND LOCAL CODES IN THE AREA OF INSTALLATION.)
- 2. OPTIONS AND ADDITIONAL EQUIPMENT ORDERED MAY AFFECT OVERALL DIMENSIONS. DRAWINGS ARE FOR STANDARD BOILER PACKAGE.



DWG NO. 300B0458

REVISIONS

REFERENCE DRAWINGS

- BLWR HOUSING: #235A0132
- PLENUM: #212B0170
- P.V. BASE: #201B0215
- FR FLUE BOX: #205B0153
- RR FLUE BOX: #206B0149



THIS DRAWING IS THE PROPERTY OF THE JOHNSTON BOILER COMPANY. THE DISCLOSURES CONTAINED ON THIS DRAWING ARE MADE WITH THE UNDERSTANDING THAT THEY ARE CONFIDENTIAL AND WILL NOT BE USED IN ANY WAY DETRIMENTAL TO THIS COMPANY'S INTEREST.

SCALE: CAD/FULL
DATE: 2-23-07
DRAWN: JRS
CHECKED: [Signature]
APPROVED: [Signature]

JOHNSTON BOILER COMPANY
FERRYSBURG, MICHIGAN 49409
BOILER TEMPLATE - 509
PFTA500-4-30#W

DWG NO. 300B0458-01

REV