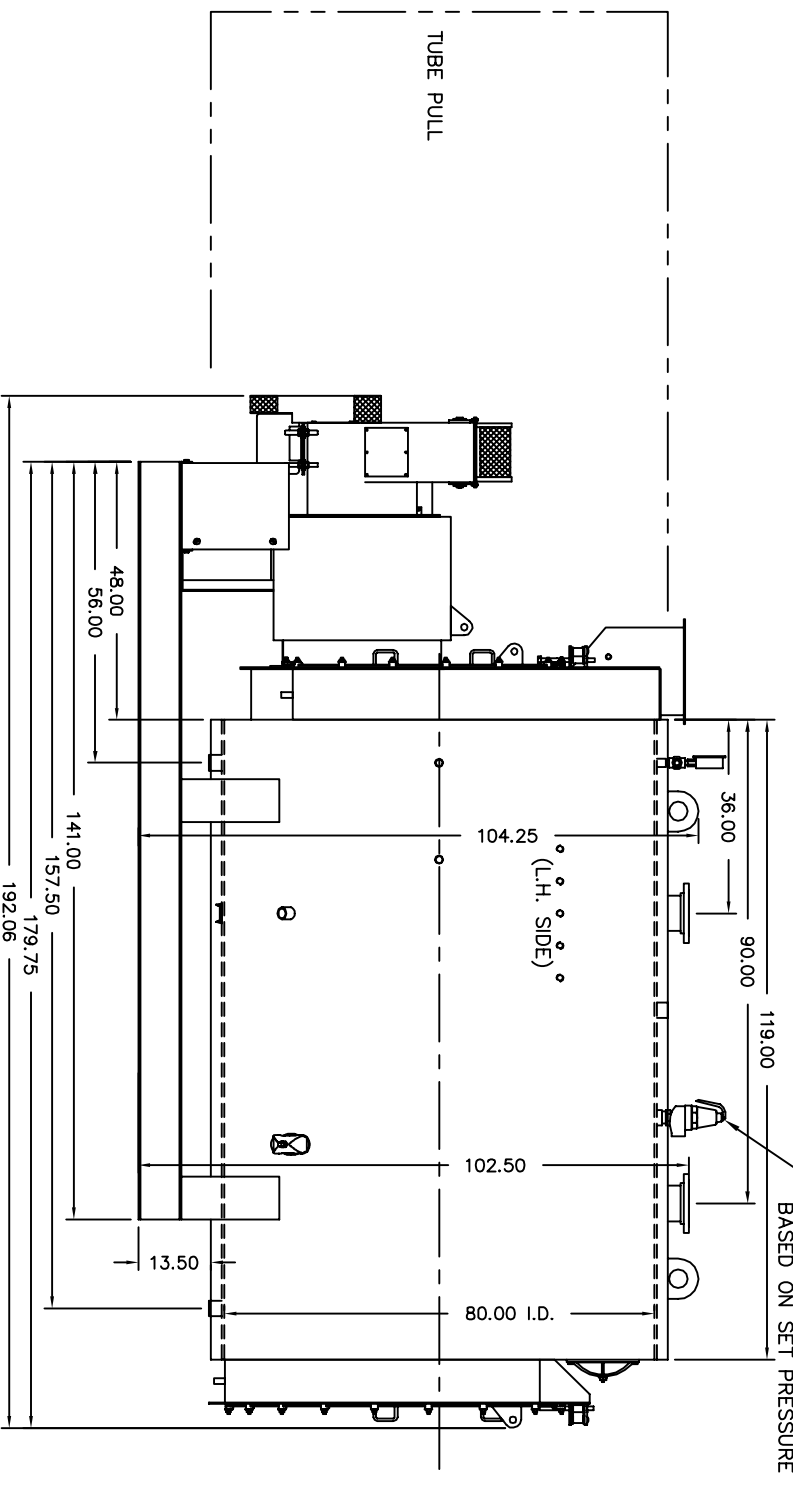
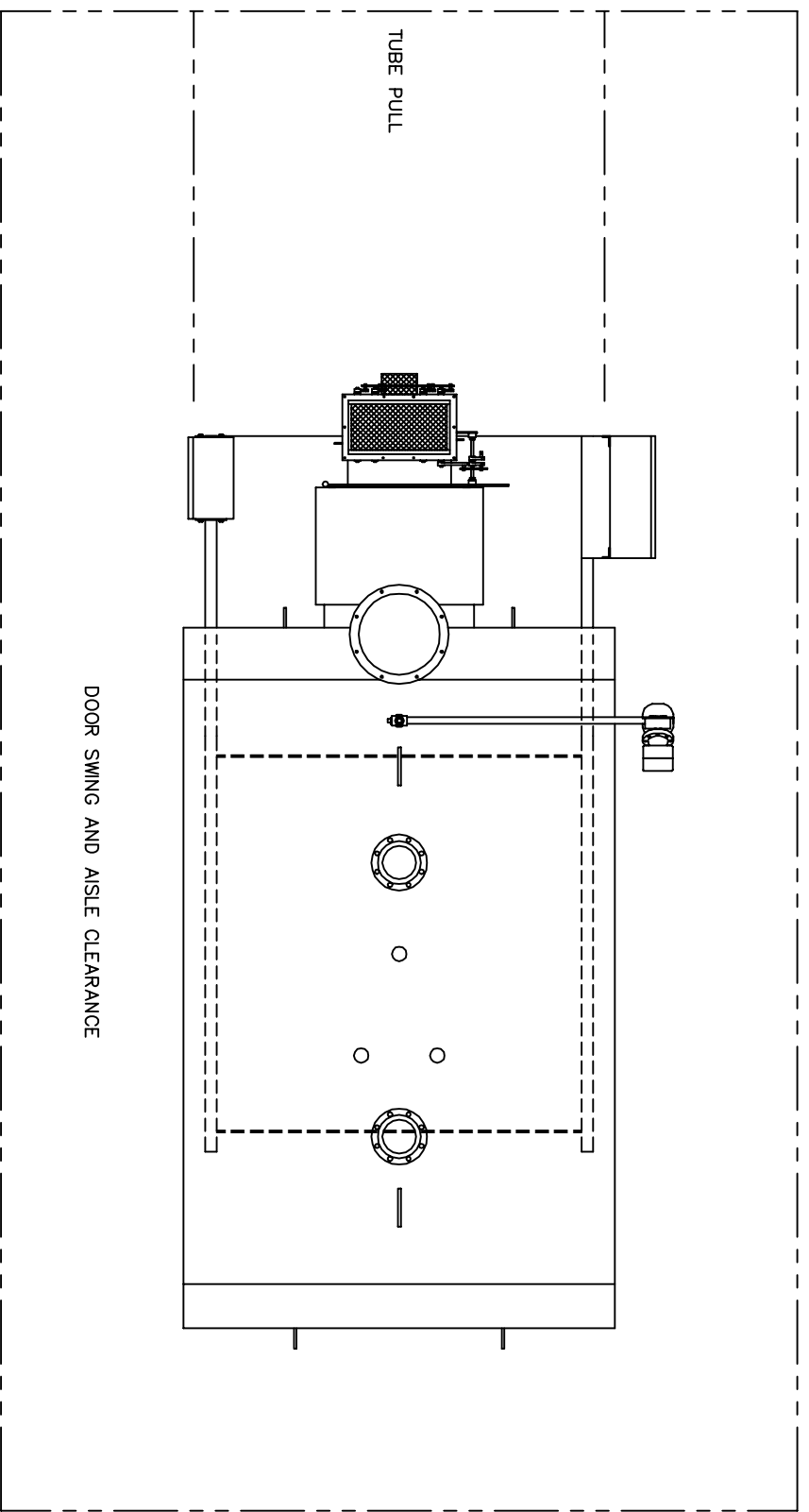
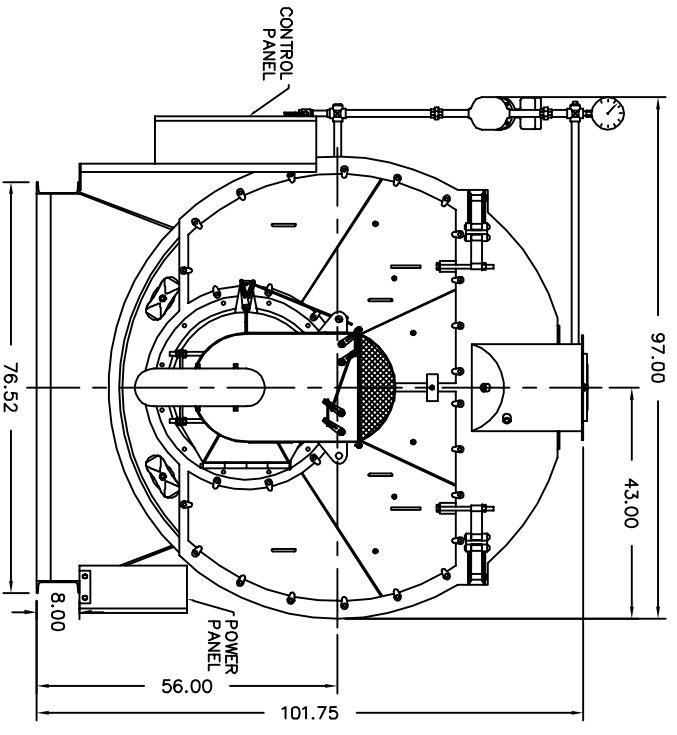
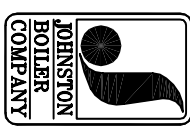


- NOTES:
1. MINIMUM AISLE CLEARANCE 36" FROM BOILER SIDES AND REAR. (THIS REQUIREMENT MAY VARY WITH LOCATION. CHECK STATE AND LOCAL CODES IN THE AREA OF INSTALLATION.)
 2. OPTIONS AND ADDITIONAL EQUIPMENT ORDERED MAY AFFECT OVERALL DIMENSIONS. DRAWINGS ARE FOR STANDARD BOILER PACKAGE.



REFERENCE DRAWINGS

PV: #101B0922
 PV BASE: #201B0252
 FR FLUE BOX: #205B0150
 RR FLUE BOX: #206B0140
 BLWR HOUSING: #235A0126-02
 PLENUM: #212B0177



THIS DRAWING IS THE PROPERTY OF THE JOHNSTON BOILER COMPANY. THE DISCLOSURES CONTAINED ON THIS DRAWING ARE MADE WITH THE UNDERSTANDING THAT THEY ARE CONFIDENTIAL AND WILL NOT BE USED IN ANY WAY DETRIMENTAL TO THIS COMPANY'S INTEREST.

SCALE	CAD/FULL	DATE	2-23-07
DRAWN	DRS	CHECKED	
APPROVED			
JOHNSTON BOILER COMPANY FERRYSBURG, MICHIGAN 49409 BOILER TEMPLATE - 509 PFTA200-4-30#W DWG. NO. 300B0453-01			