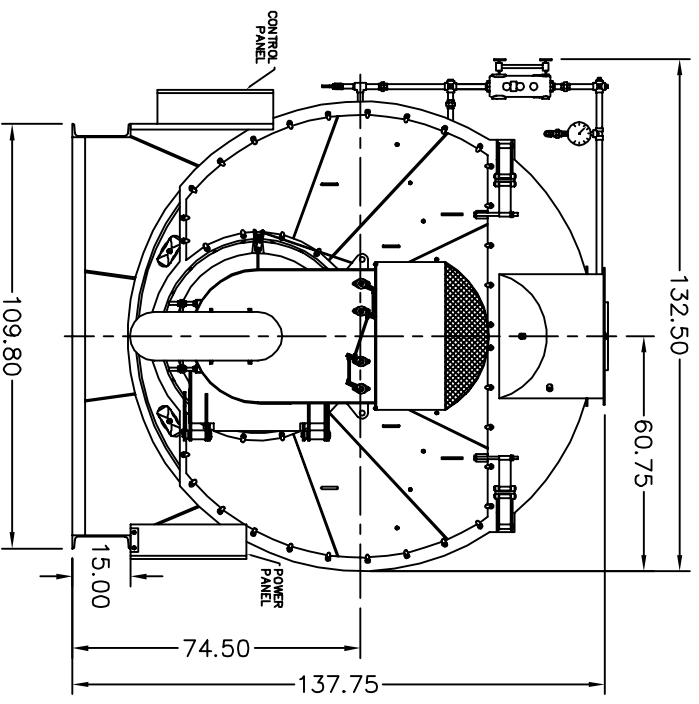
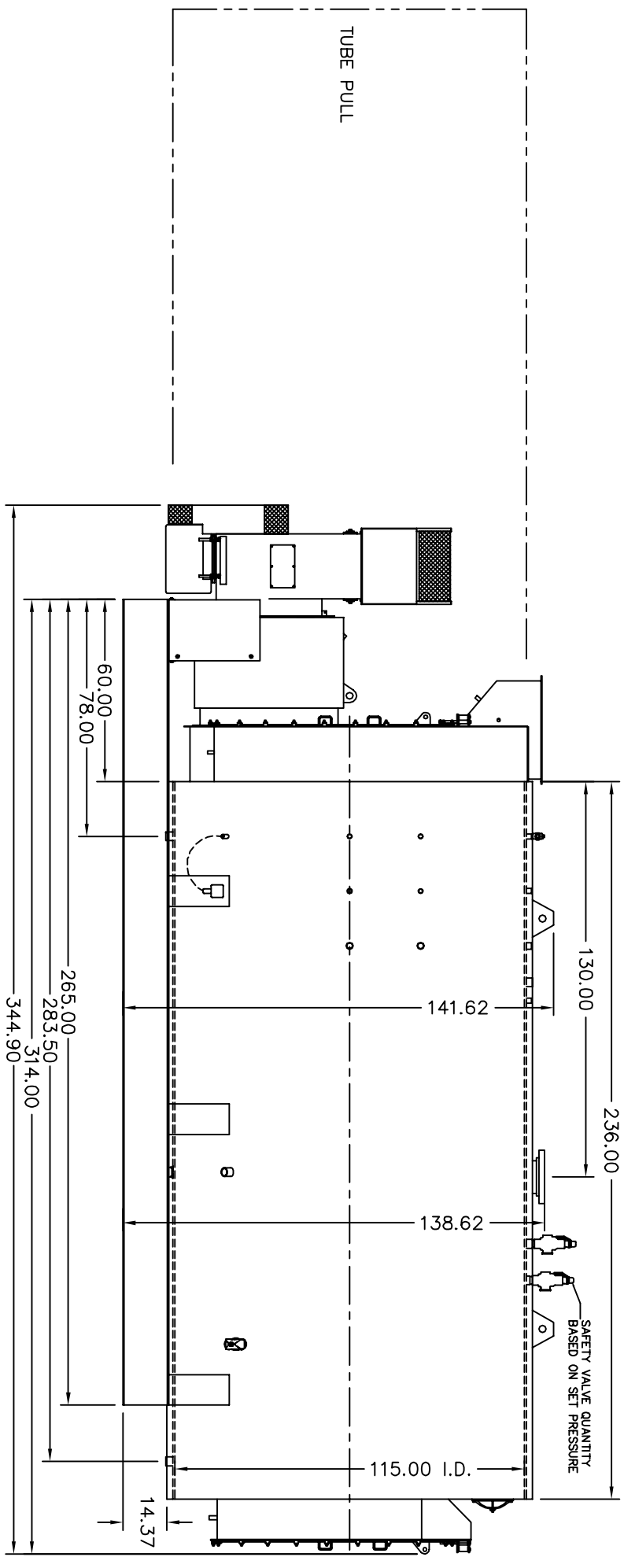
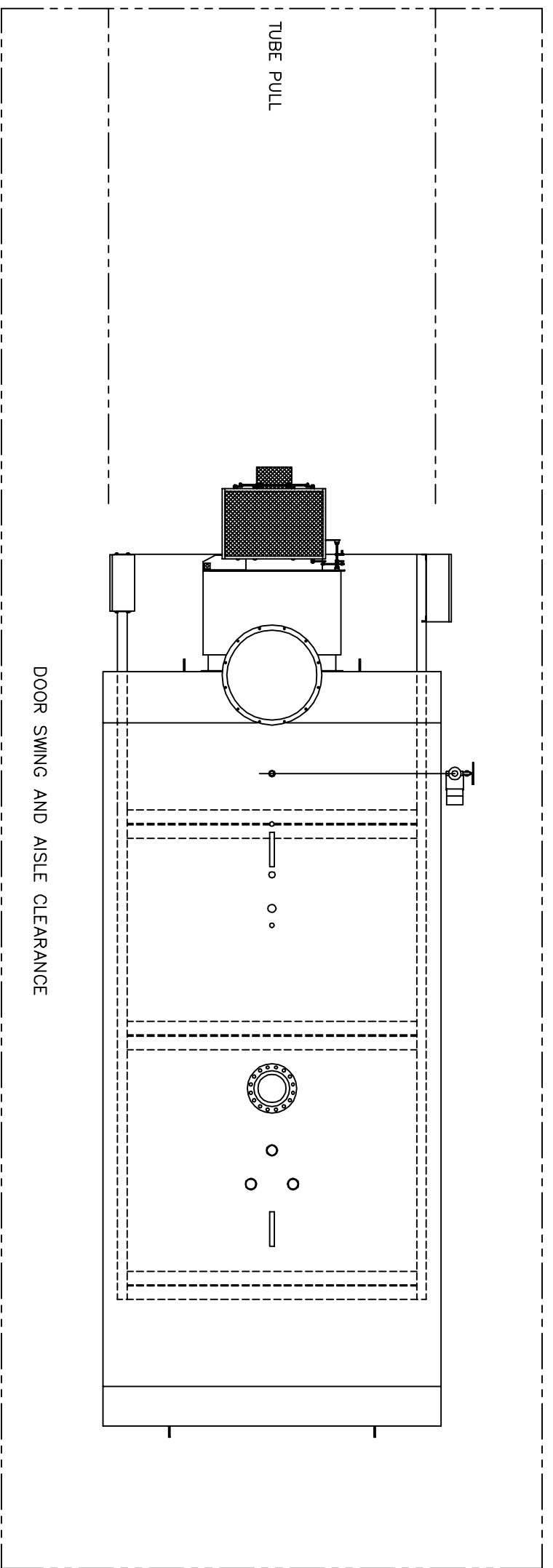


A	1-24-07	JRS
---	---------	-----

CHANGED STACK
OUTLET DIAMETER,
UPDATED BURNER,
ADDED PANELS AND
ALL CONNECTIONS TO
TOP VIEW.

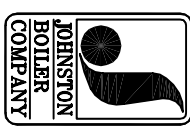


- NOTES:
1. MINIMUM AISLE CLEARANCE 36" FROM BOILER SIDES AND REAR. (THIS REQUIREMENT MAY VARY WITH LOCATION. CHECK STATE AND LOCAL CODES IN THE AREA OF INSTALLATION.)
 2. OPTIONS AND ADDITIONAL EQUIPMENT ORDERED MAY AFFECT OVERALL DIMENSIONS. DRAWINGS ARE FOR STANDARD BOILER PACKAGE.



REFERENCE DRAWINGS

- BLWR HOUSING: #235A0130
- PLENUM: #212B0167
- P.V.: #101B0716
- FR FLUE BOX: #201B0225
- RR FLUE BOX: #205B0154
- #208B0150



THIS DRAWING IS THE
PROPERTY OF THE JOHNSTON
BOILER COMPANY. THE
DISCLOSURES CONTAINED ON
THIS DRAWING ARE MADE
WITH THE UNDERSTANDING
THAT THEY ARE CONFIDENTIAL
AND WILL NOT BE USED IN
ANY WAY DETRIMENTAL TO
THIS COMPANY'S INTEREST.

SCALE	CAD/FULL
DATE	3-20-01
DRAWN	GSP
CHECKED	
APPROVED	

JOHNSTON BOILER COMPANY
FERRYSBURG, MICHIGAN 49409
BOILER TEMPLATE - 509
PFTA900-4-150#S