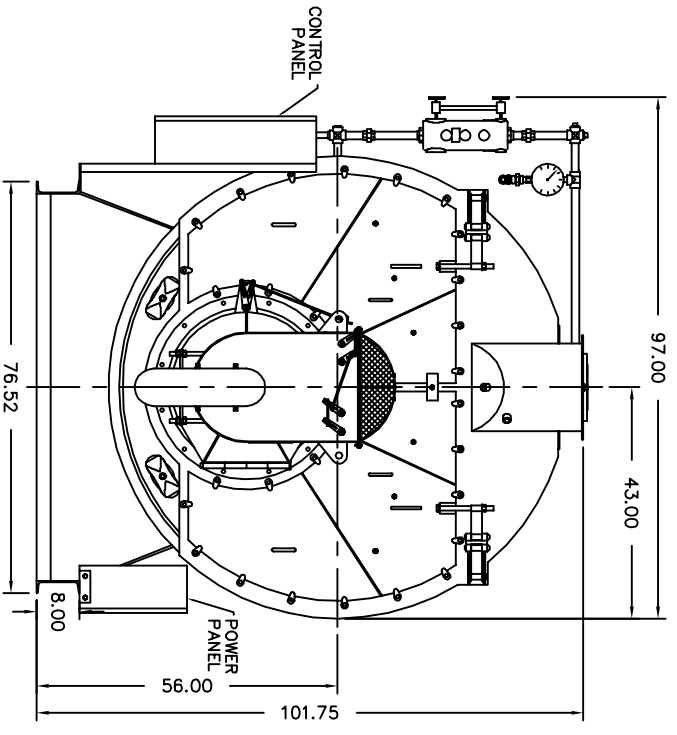
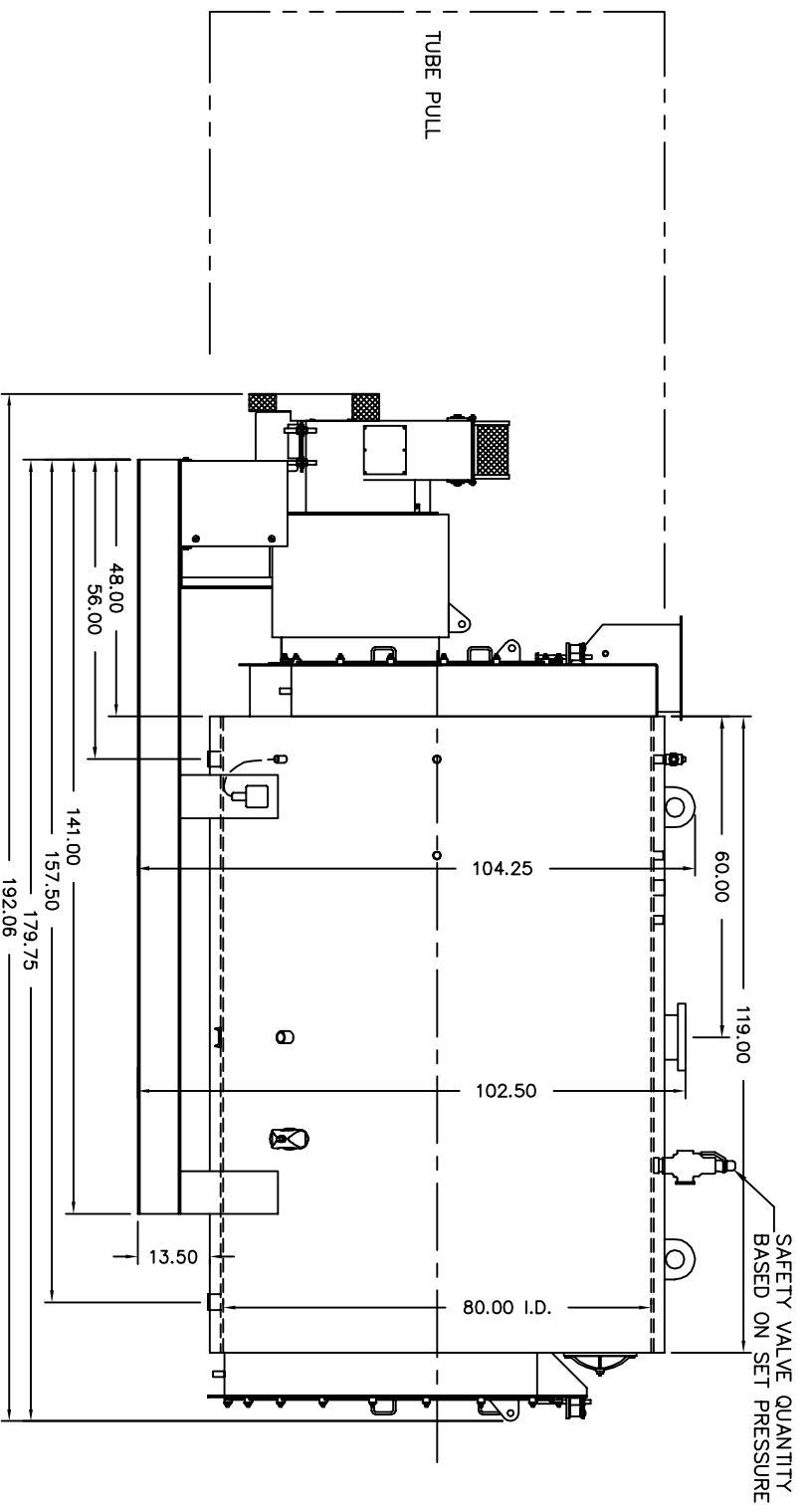
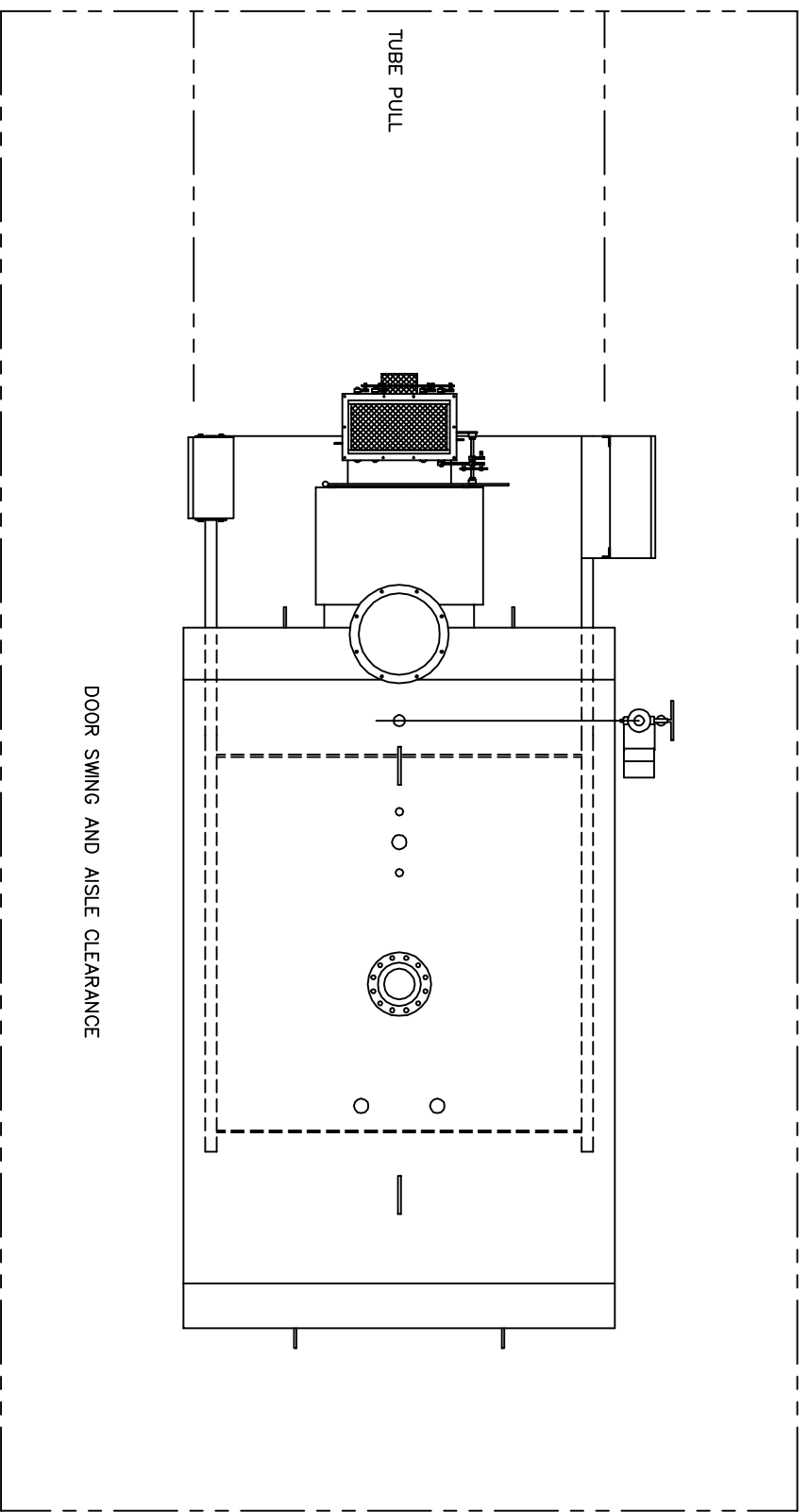


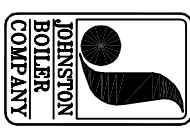
ADDED PANELS,  
UPDATED BURNER,  
ADDED ALL TOP  
CENTERLINE  
CONNECTIONS



- NOTES:
1. MINIMUM AISLE CLEARANCE 36" FROM BOILER SIDES AND REAR. (THIS REQUIREMENT MAY VARY WITH LOCATION. CHECK STATE AND LOCAL CODES IN THE AREA OF INSTALLATION.)
  2. OPTIONS AND ADDITIONAL EQUIPMENT ORDERED MAY AFFECT OVERALL DIMENSIONS. DRAWINGS ARE FOR STANDARD BOILER PACKAGE.



REFERENCE DRAWINGS  
 PV: #101B0743  
 PV BASE: #201B0252  
 FR FLUE BOX: #205B0150  
 RR FLUE BOX: #206B0140  
 BLWR HOUSING: #235A0126-02  
 PLENUM: #212B0177



THIS DRAWING IS THE PROPERTY OF THE JOHNSTON BOILER COMPANY. THE DISCLOSURES CONTAINED ON THIS DRAWING ARE MADE WITH THE UNDERSTANDING THAT THEY ARE CONFIDENTIAL AND WILL NOT BE USED IN ANY WAY DETRIMENTAL TO THIS COMPANY'S INTEREST.

SCALE: CAD/FULL  
 DATE: 11/27/00  
 DRAWN: GSP  
 CHECKED: [Signature]  
 APPROVED: [Signature]

JOHNSTON BOILER COMPANY  
 FERRYSBURG, MICHIGAN 49409  
 BOILER TEMPLATE - 509  
 PFTA200-4-150#S  
 DWG. NO. 300B0375-01