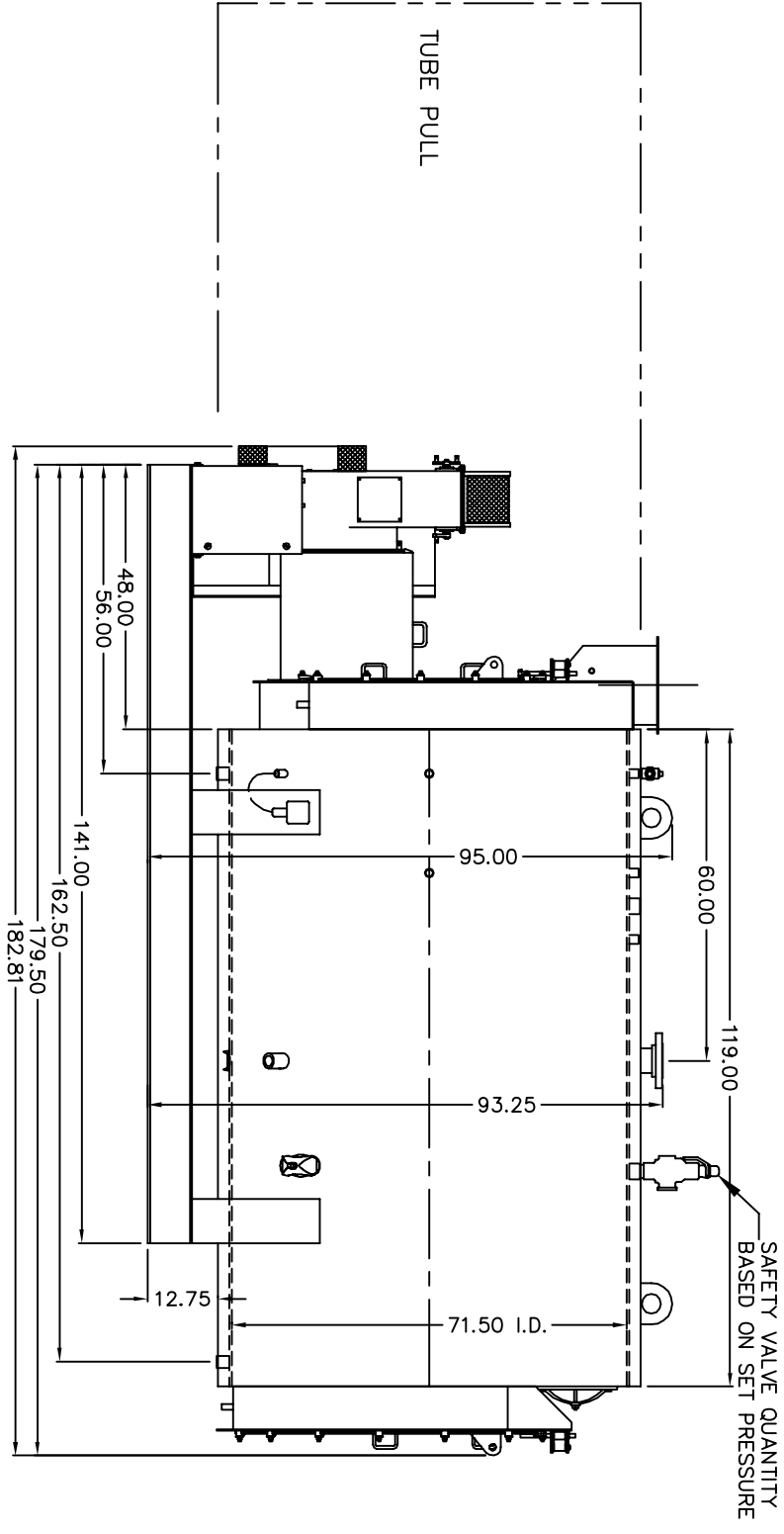
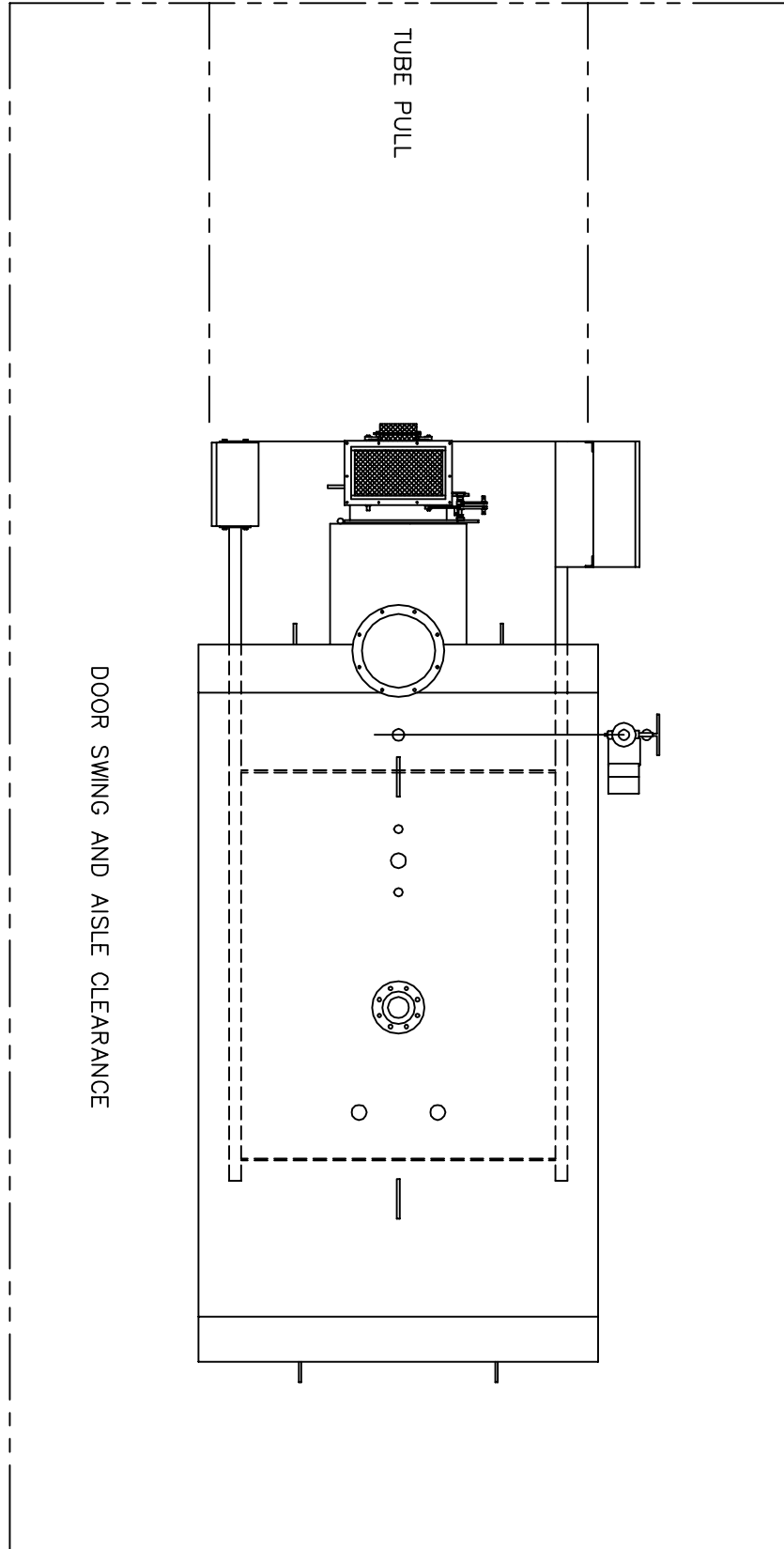
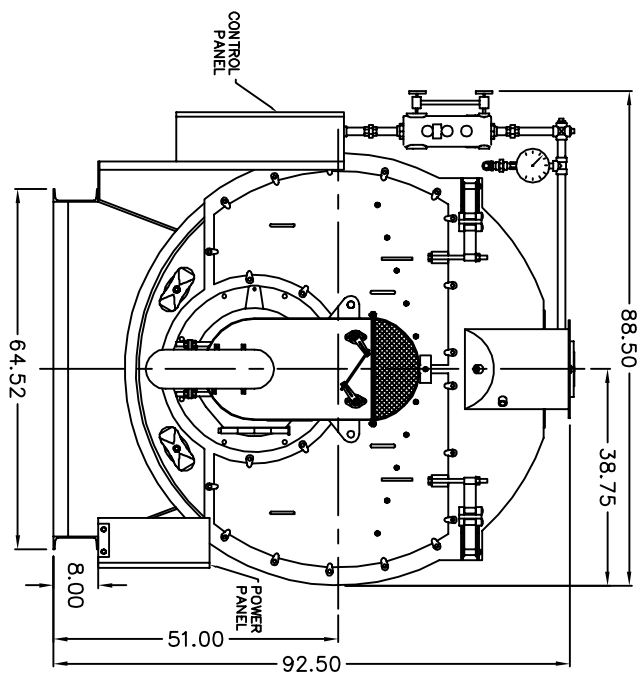


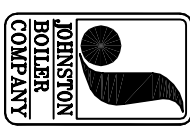
REVISIONS	
A	1-8-07 JRS

ADDED PANELS, UPDATED BURNER, ADDED ALL CONNECTIONS TO TOP CENTERLINE

- NOTES:
1. MINIMUM AISLE CLEARANCE 36" FROM BOILER SIDES AND REAR. (THIS REQUIREMENT MAY VARY WITH LOCATION. CHECK STATE AND LOCAL CODES IN THE AREA OF INSTALLATION.)
 2. OPTIONS AND ADDITIONAL EQUIPMENT ORDERED MAY AFFECT OVERALL DIMENSIONS. DRAWINGS ARE FOR STANDARD BOILER PACKAGE.



REFERENCE DRAWINGS:
 PV. BASE: #101B0888
 FR FLUE BOX: #201B0257
 RR FLUE BOX: #205B0135
 BLWR HOUSING: #206B0153
 PLENUM: #216B0112
 #212B0172



THIS DRAWING IS THE PROPERTY OF THE JOHNSTON BOILER COMPANY. THE DISCLOSURES CONTAINED ON THIS DRAWING ARE MADE WITH THE UNDERSTANDING THAT THEY ARE CONFIDENTIAL AND WILL NOT BE USED IN ANY WAY DETRIMENTAL TO THIS COMPANY'S INTEREST.

SCALE	CAD/FULL
DATE	11/21/00
DRAWN	GSP
CHECKED	
APPROVED	

JOHNSTON BOILER COMPANY
 FERRYSBURG, MICHIGAN 49409
 BOILER TEMPLATE - 509
 PFTA150-4-150#S
 DWG. NO. 300B0374-01