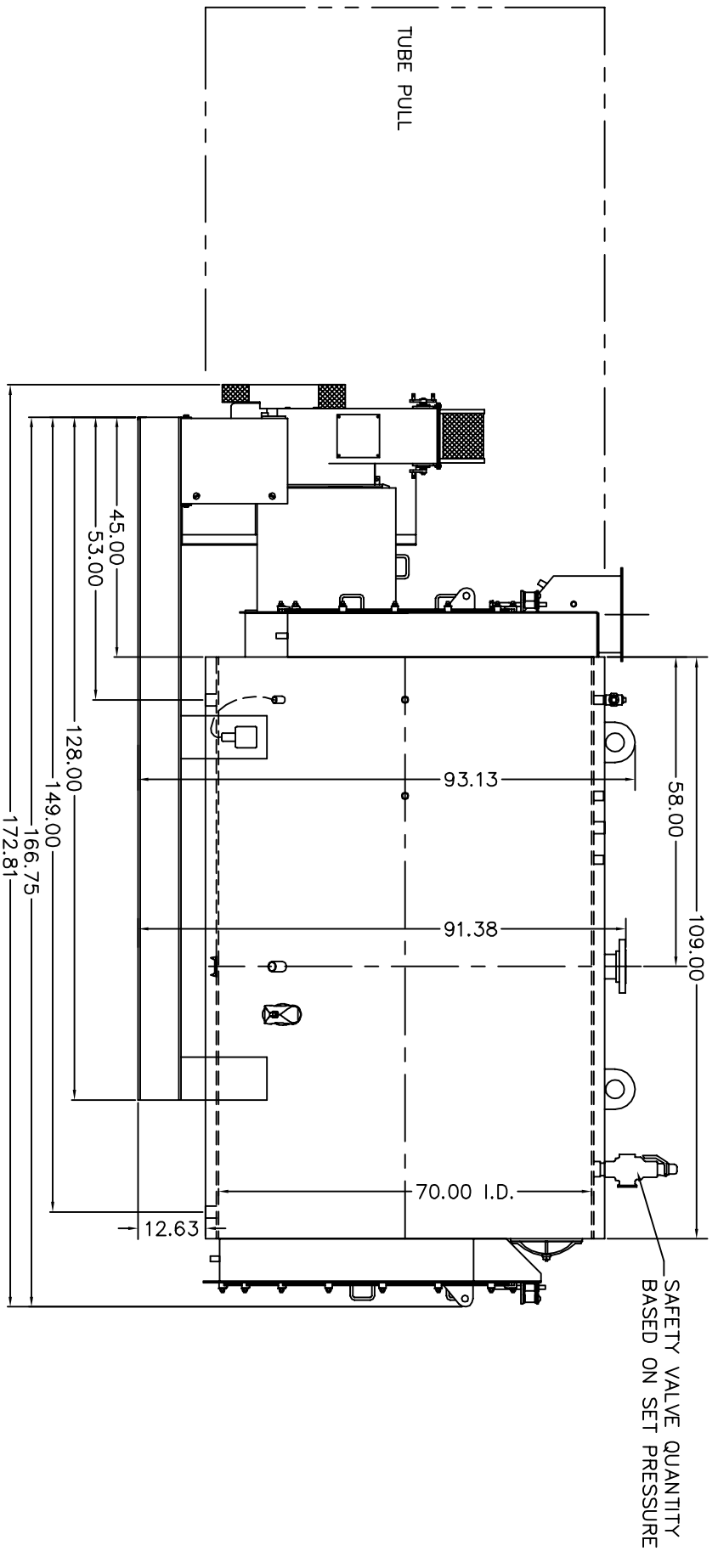
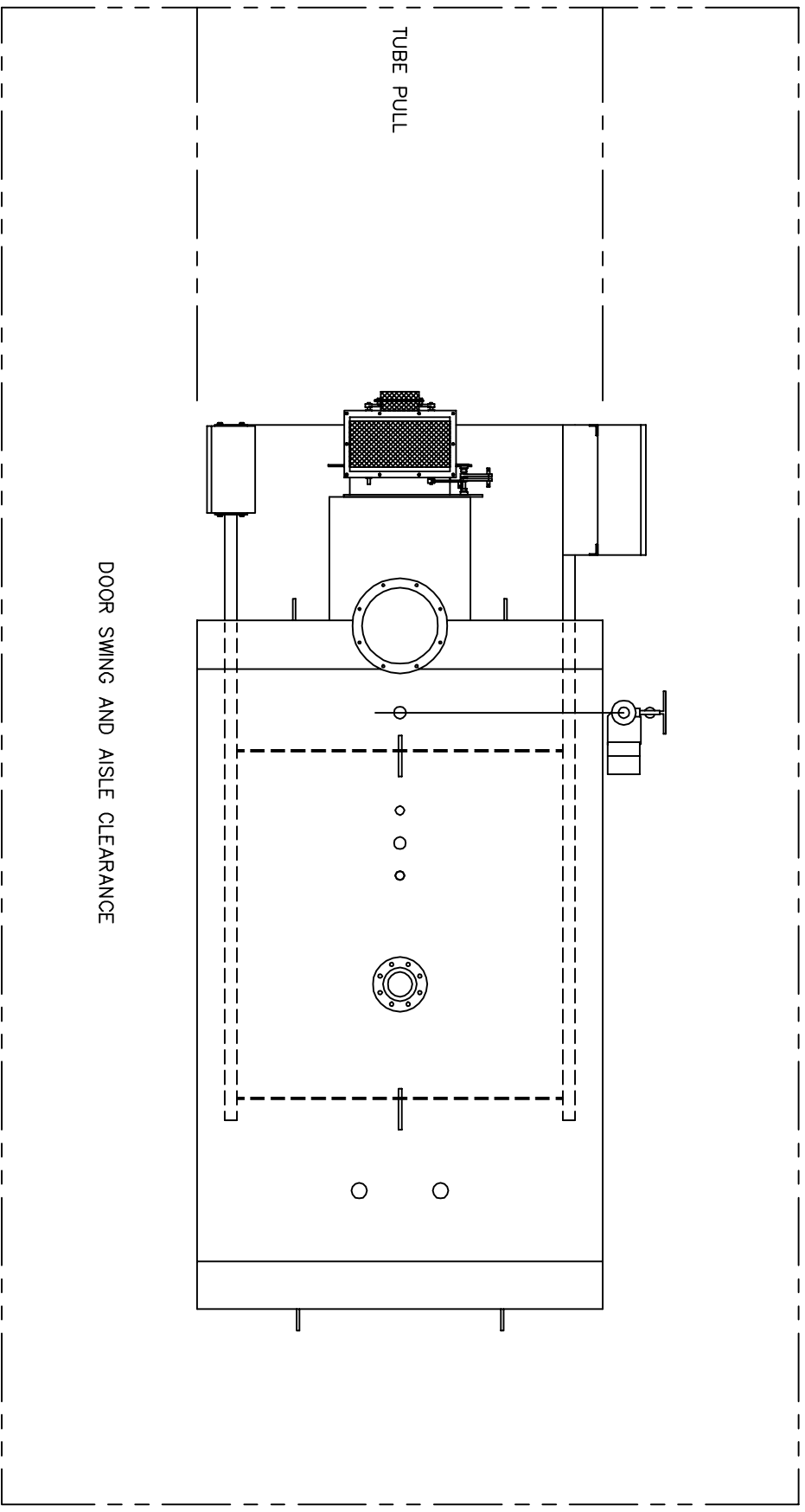
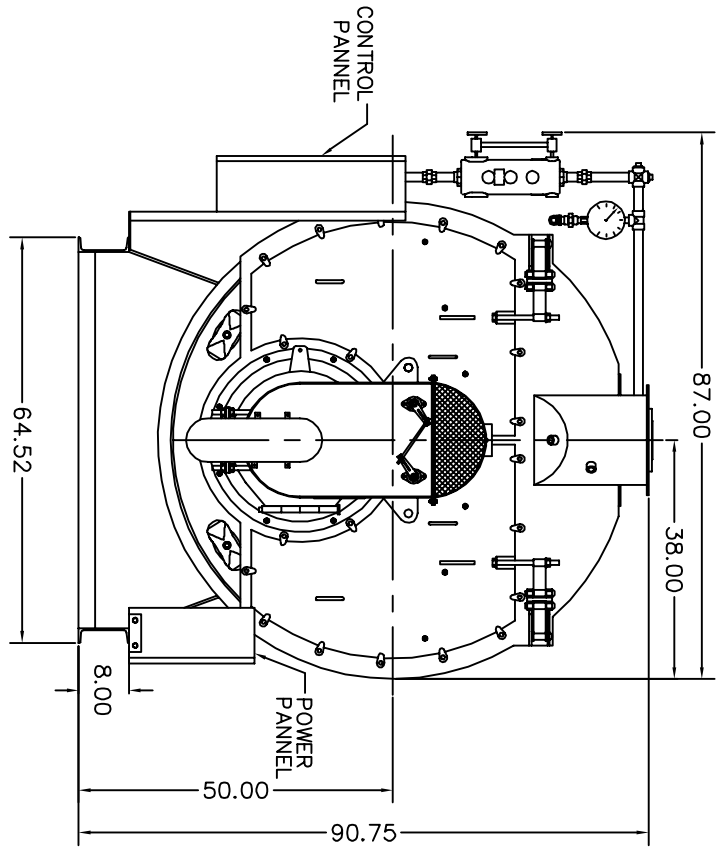


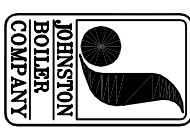
ADDED PANELS, UPDATED WATERCOLUMN, BURNER, ADDED CONNECTIONS TO TOP VIEW.

- NOTES:
1. MINIMUM AISLE CLEARANCE 36" FROM BOILER SIDES AND REAR. (THIS REQUIREMENT MAY VARY WITH LOCATION. CHECK STATE AND LOCAL CODES IN THE AREA OF INSTALLATION.)
 2. OPTIONS AND ADDITIONAL EQUIPMENT ORDERED MAY AFFECT OVERALL DIMENSIONS. DRAWINGS ARE FOR STANDARD BOILER PACKAGE.



REFERENCE DRAWINGS

- PV: #101B0901
- PV BASE: #201B0261
- FR FLUE BOX: #205B0159
- RR FLUE BOX: #206B0156
- BLWR HOUSING: #216B0112
- PLENUM: #212B0171



THIS DRAWING IS THE PROPERTY OF THE JOHNSTON BOILER COMPANY. THE DISCLOSURES CONTAINED ON THIS DRAWING ARE MADE WITH THE UNDERSTANDING THAT THEY ARE CONFIDENTIAL AND WILL NOT BE USED IN ANY WAY DETRIMENTAL TO THIS COMPANY'S INTEREST.

SCALE	CAD/FULL
DATE	11-13-00
DRAWN	DAB
CHECKED	
APPROVED	

JOHNSTON BOILER COMPANY
 FERRYSBURG, MICHIGAN 49409
 BOILER TEMPLATE - 509N
 PFTA-125-4 150#S
 DWG. NO. 300B0373-01