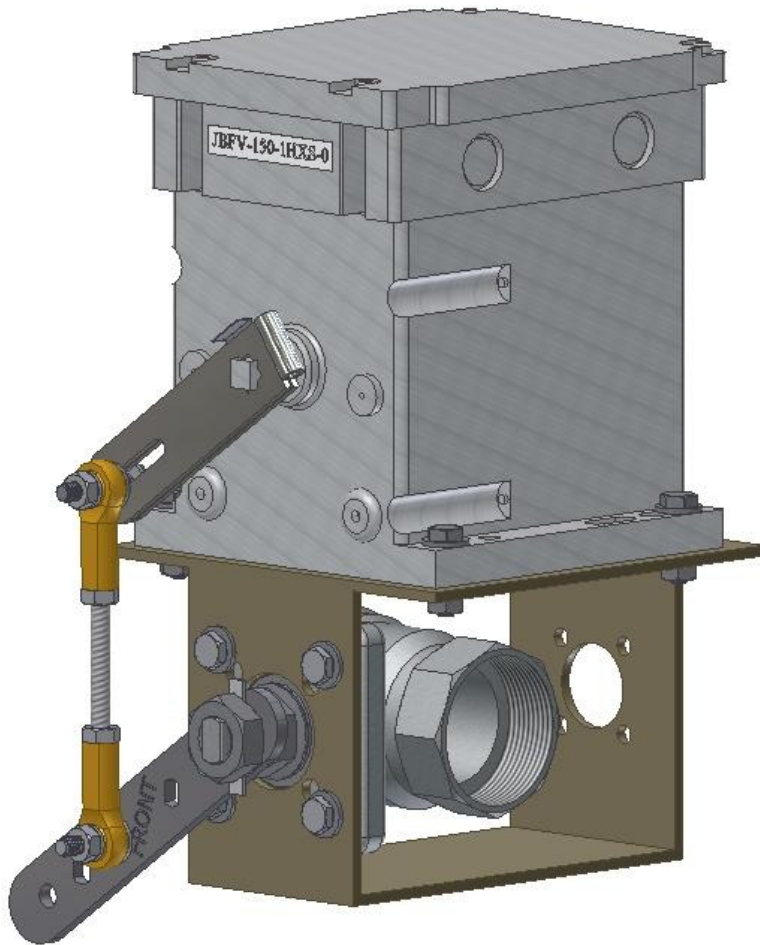


# Johnston Boiler Company

## Feedwater Control Valve



### Standard Features:

- Power Supply: 115 VAC
- NEMA 3 Motor Enclosure
- 0-135 Ohm Control Input
- Stainless Steel Valve Body
- 2 - Adjustable SPDT End Switches
- 100% Shutoff
- Universal Bracket & linkage
- Reinforced Teflon Seat, Body Seal and Stem Packing For Long Life
- Class IV Shutoff
- Full Port Design
- Ambient Temp. To 150 Degrees

### Options:

- Power supply: 24 VAC
- Weatherproofing Kit
- 4 - 20 mA Control Input

### Valve Sizes:

- 3/4" - 2" NPT



## Johnston Boiler Company

300 Pine Street P.O. Box 300

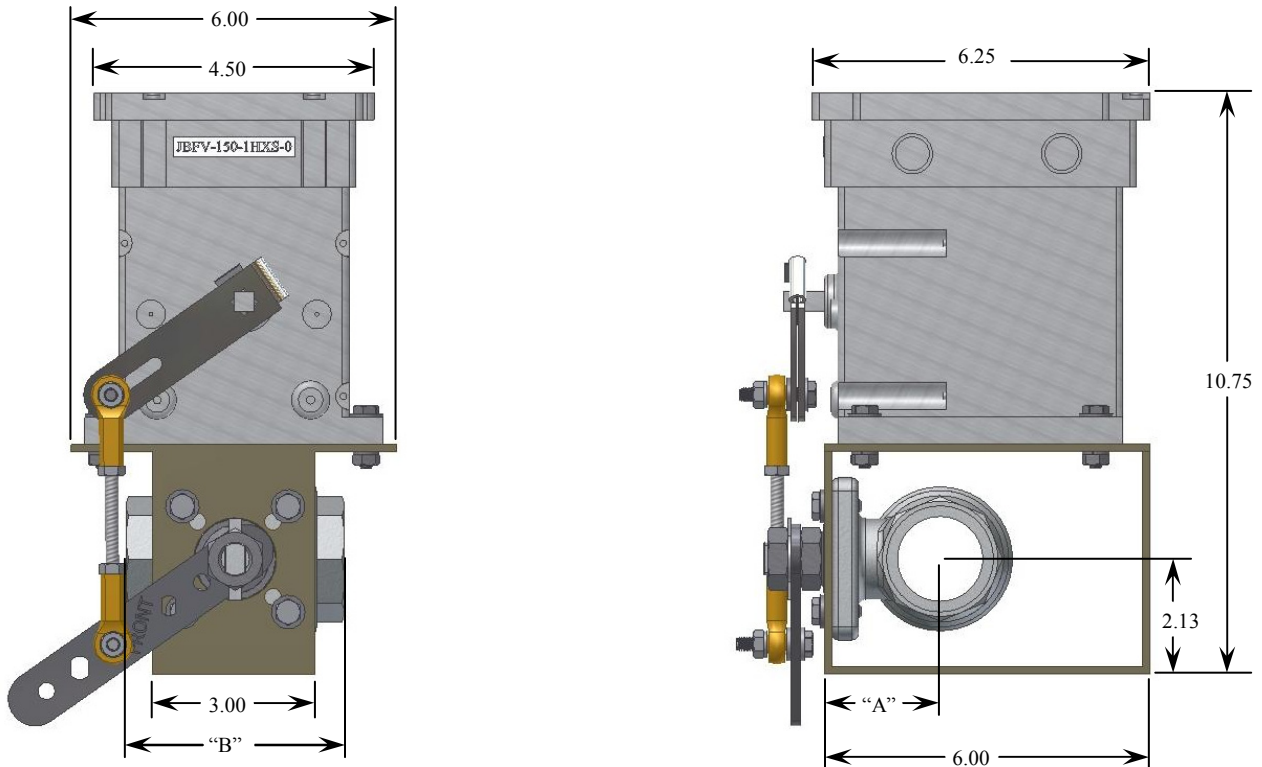
Ferrysburg, MI 49409-0300

Phone: (616) 842-5050

Fax: (616) 842-1854

Net: [www.johnstonboiler.com](http://www.johnstonboiler.com)

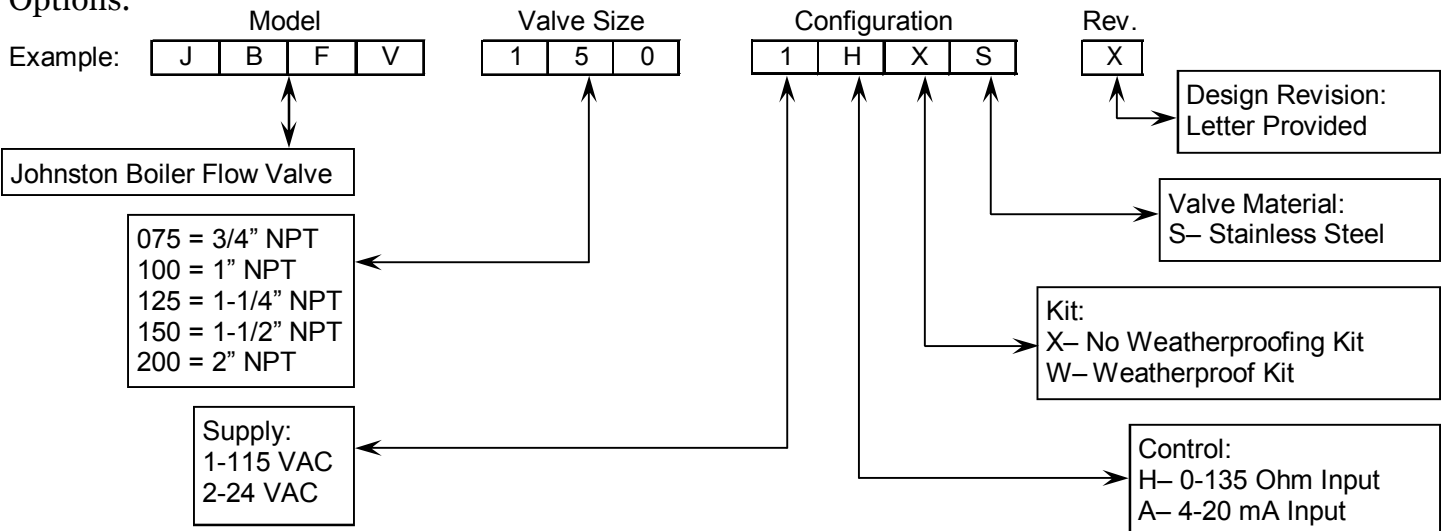
# Model Number/Ordering Guide



VALVE SIZE	"A"	"B"	C <sub>v</sub> FACTOR
3/4"	1.40	3.00	20
1"	1.61	3.46	39
1-1/4"	2.16	3.82	71
1-1/2"	2.28	4.37	93
2"	2.60	5.28	210

B = VALVE LENGTH FACE TO FACE

## Options:



**Example:** 1-1/2" Stainless Steel, 115VAC, No Weatherproof Kit, 0-135 Ohm Input